

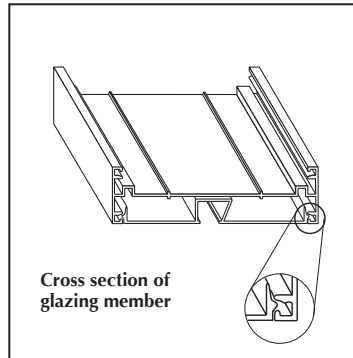
There is now an attractive and versatile alternative to old-fashioned pressed steel door frames. The Versatrac system accommodates itself to a wide range of job requirements for interior aluminum frames. You can specify a variety of opening sizes and types, and be assured of maintaining a uniform, clean appearance.

Only Versatrac systems offer a complete set of features that ease installation and create a sturdier frame. And our door frames use integral hinge and strike reinforcements, for maximum door hanging strength.

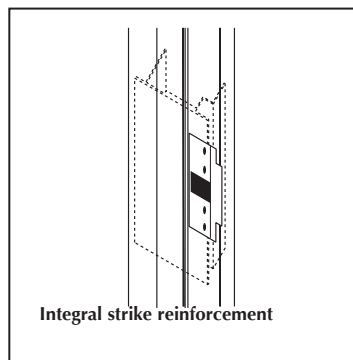
Over 20 years of service in thousands of installations nationwide have proven the reliability of aluminum frame systems. They are easy to install, can be delivered quickly, and are competitive in price.

Versatrac design advantages include:

- The sharp, clean lines of extruded aluminum
- Quick installation
- Your choice of four standard finishes, plus custom finishes (at additional cost and lead time). All finishes are factory applied.
- Fully concealed fasteners
- Complete system to facilitate freedom of design
- 20-minute fire rating
- 90-minute fire rating
- UBC 7-2-97 positive pressure

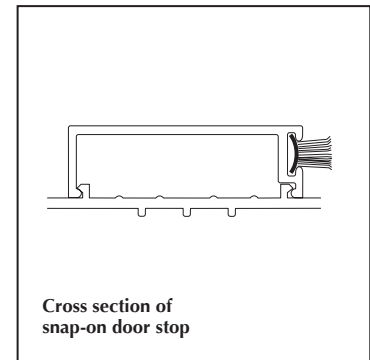


Cross section of glazing member



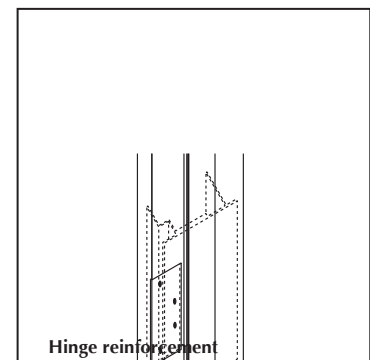
Integral strike reinforcement

Versatrac door frames feature an integral strike which eliminates a separate strike box that must be installed on site.



Cross section of snap-on door stop

Versatrac door frames feature a stop which positively locks to the jamb. This feature ensures tight fit and maximum security.



Hinge reinforcement

Integral aluminum hinge reinforcements maximize door hanging strength on Versatrac frames.

Specification Information

Fabrication

Unless otherwise specified, all door frames will be fabricated as follows:

Frames up to 108" in height are prepared for three or four 4 1/2" standard weight hinges and one 4 7/8" ASA strike.

Frames over 108" will receive preparation for four 4 1/2" hinges. (Note: Jambs are shipped an extra 2" in length to accommodate job conditions, unless exact length is ordered.)

All glazing and trim extrusions are to be cut and fabricated in the field to accommodate actual job size requirements.

Ordering Information

When ordering, specify:

1. Type of frame
2. Size of finished opening
3. Series number (300 for 3 3/4" wall, 400 for 4 7/8" wall)
4. Finish
5. Swing
6. Metal stud size with 5/8" gypsum board each side
7. Stud segments or full length backer studs (segments used with unfinished wall board; full length studs used with finished wall board)

Special Sizes and Finishes

Frames above 9' 10 1/2" in height and those requiring non-standard finish are subject to special quote. Preparation for deadbolts or electronic locks is also subject to special quote.

20 Minute Fire Rating

Versatrac 300 and 400 series aluminum door frames will have 20-minute rating capabilities - up to a maximum of 6'0" x 9'0". Attached sidelights up to 2'0" x 9'0" may also carry a 20 minute fire rating.

90-Minute Fire Rating

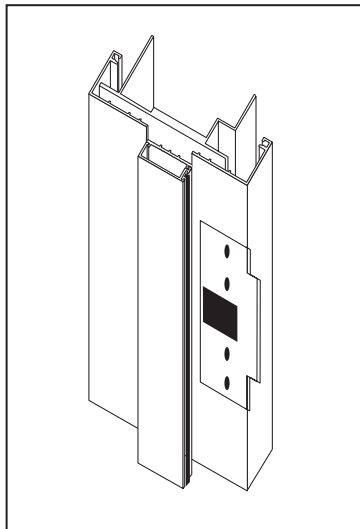
Versatrac Adjustable aluminum door frames may be rated for 90 minutes up to a maximum size of 6'0" x 9'0" and wall sizes up to 7 1/4".

Positive Pressure UBC 7-2-97

Versatrim 300 and 400 series aluminum door frames have been tested to positive pressure requirements of UBC Standard 7-2-97 up to a maximum size of 6'0" x 9'0". Intumescent strips and vinyl bulb sound seals required.

Finishes

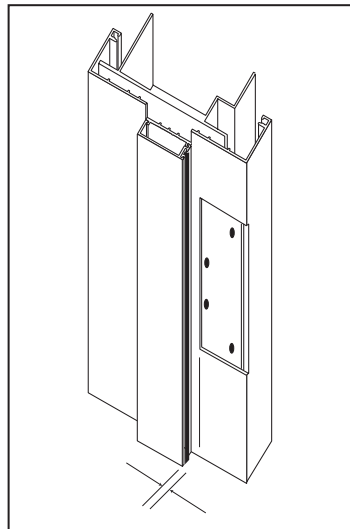
Standard finishes are Satin Metallic Bronze, Satin Black, and White acrylic enamel and 204-R1 Natural Clear Anodized. Special finishes, either anodized or painted, are subject to special quote.



Versatrac standard strike prep 4 7/8" ASA.
Others available on request.

Strike

38" from bottom of frame to centerline of strike



Versatrac standard hinge prep for standard weight 4 1/2" hinge.

Hinges

5" from rabbet line to top of first hinge, 10" from bottom of frame to bottom of last hinge, others spaced equally between top and bottom hinge.

Specifications

Materials:
Extruded aluminum alloy 6063-T5, minimum thickness 0.062" attached hardware reinforcements minimum thickness 0.125"

Finishes:
Thermosetting acrylic polymer enamel, electrostatically applied

Note

1. Material for glazing components are furnished in stock lengths for field fabrication. Header members over 9'2" and glazing sill over 10'7" must be spliced.
2. Hinge holes will be punched and threaded.
3. Strike holes will be punched and not threaded.

Deviations from standard hardware locations must be noted on Versatrac shop drawing forms.

Key

- RCH** Ceiling height - designation for top track frames or where jamb butts under side header member at sidelight jambs
- RAF** Freestanding - not attached to top track or where drywall is above frame
- RAF1** Freestanding header
- RAF2** Freestanding hinge jamb
- RAF3** Freestanding strike jamb
- RCH2** Ceiling height hinge jamb
- RCH3** Ceiling height strike jamb
- RCH4** Ceiling height snap-in header
- LT** Sidelite
- 2LT** Sidelite both sides of frame
- 1/2LT** Half sidelite, drywall below

- STD** Standard backer stud for 5/8" gypsum board
- QUICK MOUNT** Attached segmented backer studs
- BASIC** Shell of frame only/ designation used when full length backer studs are supplied separately for use with factory finished gypsum board, or when frame is backed with wood studs by others
- EXACT LENGTH** Jambs cut to nominal door height
- EXTRA LENGTH** Jambs supplied 2" over size.
Furnished standard for floor to ceiling frames to accommodate floor variations
- THROAT** Wall thickness