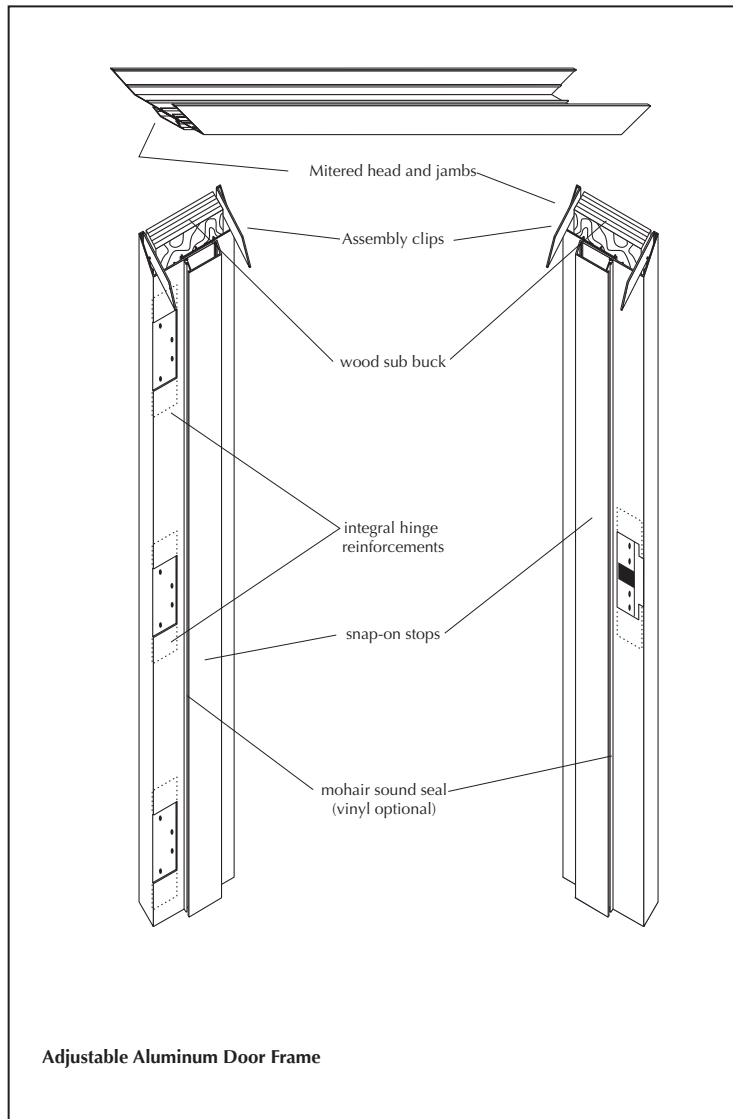


Adjustable Aluminum Door Frames



By specifying Versatrac adjustable aluminum door frames, you accommodate nonstandard wall thickness and match the appearance of other Versatrac components. *The frames are available for wall thicknesses from 3 5/8" to 7 1/4".

The frame includes integral aluminum reinforcements to provide additional structural support for the installation of hinges and strike plates.

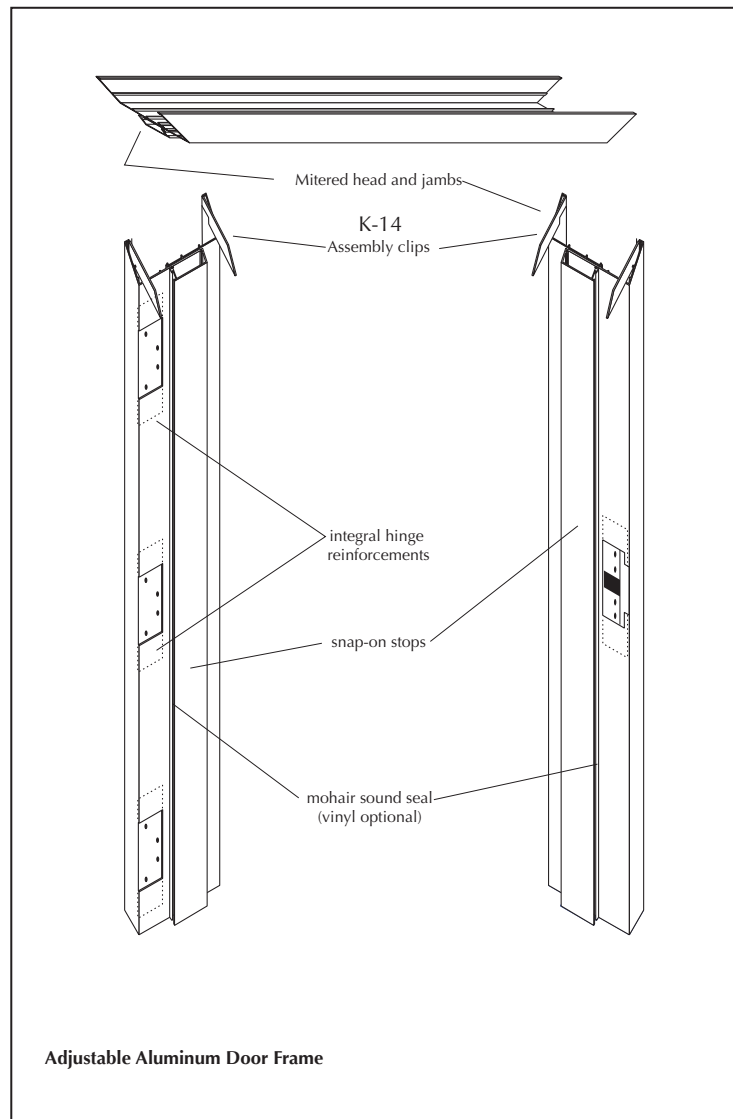
For strength, good looks and versatility, specify Versatrac adjustable aluminum door frames.

Adjustable glazing components are not available.

Adjustable Aluminum Door Frames

Adjustable Aluminum Door Frames

**90-Minute Label—Fits Walls 3 5/8" to 7 1/4"
Maximum Door Opening Size 6'0" x 9'0"**



By specifying Versatrac adjustable aluminum door frames, you accommodate nonstandard wall thickness and match the appearance of other Versatrac components.

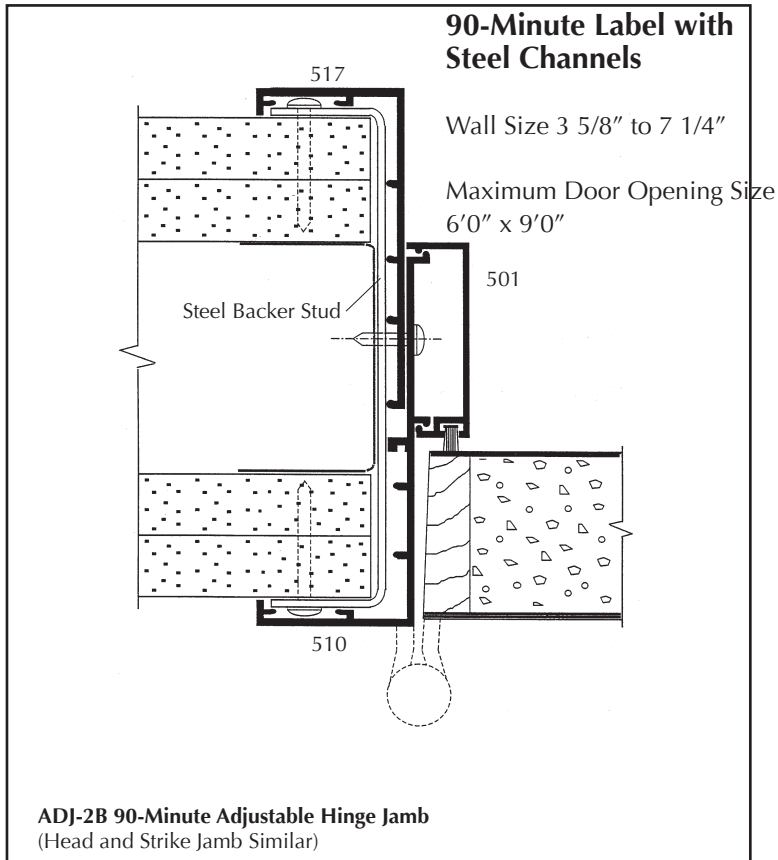
The frame includes integral aluminum reinforcements to provide additional structural support for the installation of hinges and strike plates.

For strength, good looks and versatility, specify Versatrac adjustable aluminum door frames.

Adjustable glazing components are not available.

Test No. WHI-495-1390

Adjustable Aluminum Door Frames



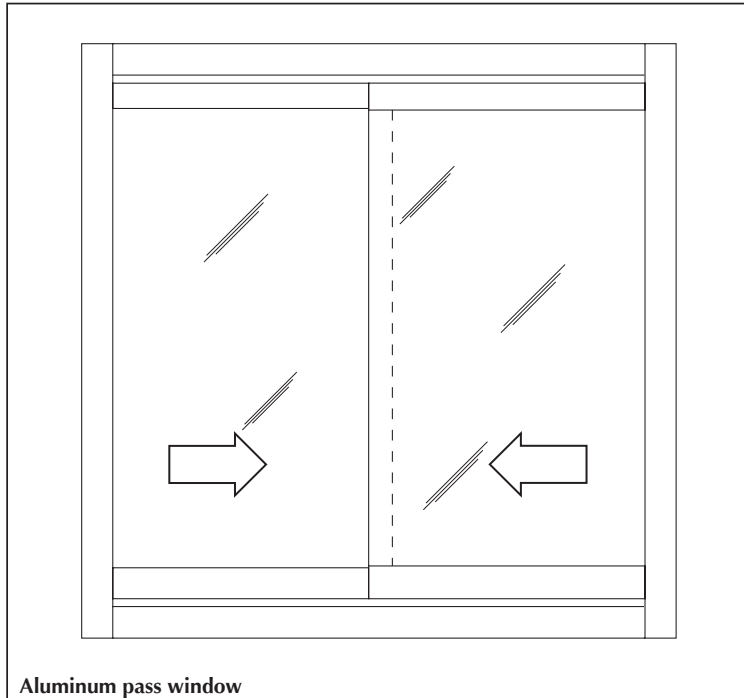
Aluminum Pass Windows

When you specify our pass thru windows, you get components that match Versatrac door, wall, and sidelite frames in appearance and finish.

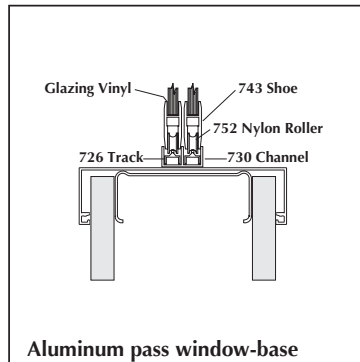
These pass thru windows are designed to withstand years of heavy use and still deliver smooth operation. They feature tough acrylic or anodized finishes, and all popular sizes are available.

All components including track and hangers are packed together and labeled for easy identification.

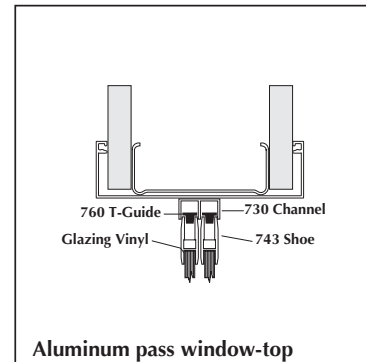
Installation is made easy as casing can be glued to jambs, head, and sill with a good panel adhesive eliminating the need for exposed screws.



Aluminum pass window



Aluminum pass window-base



Aluminum pass window-top