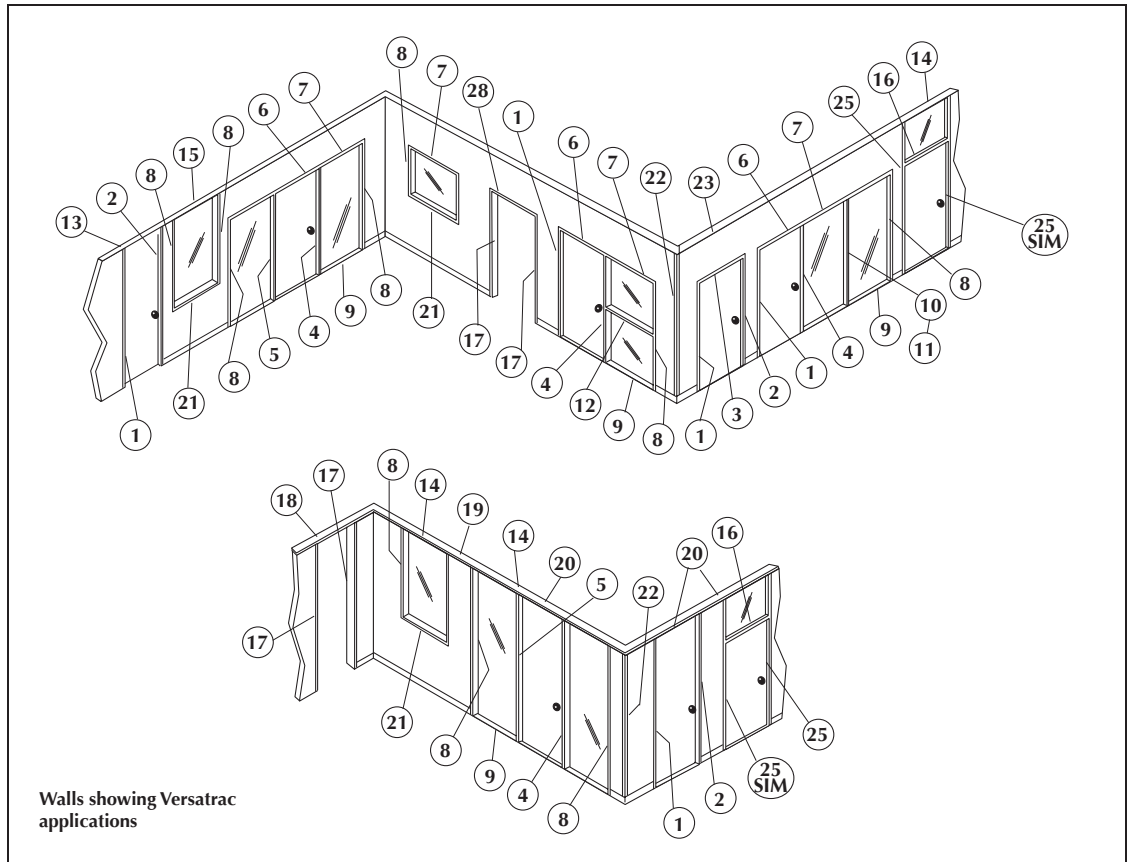


Cross Sections

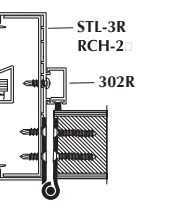
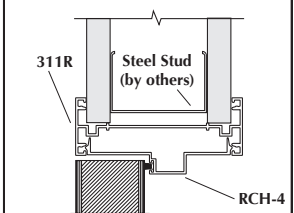
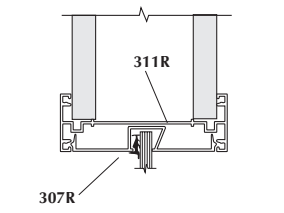
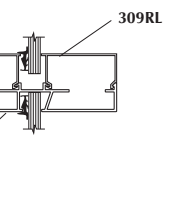
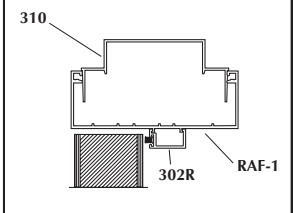
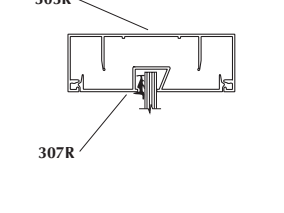
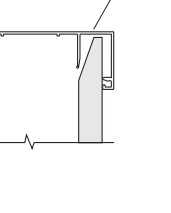
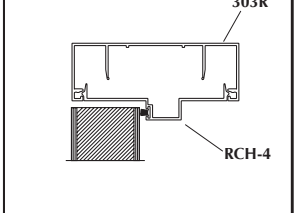
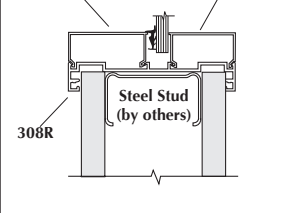
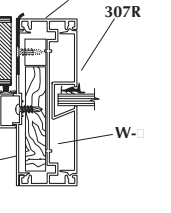
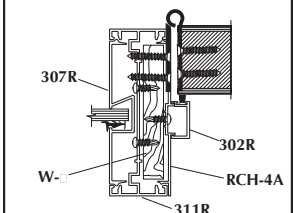
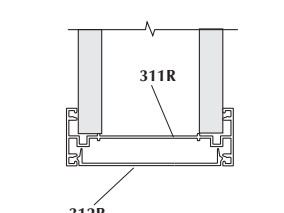


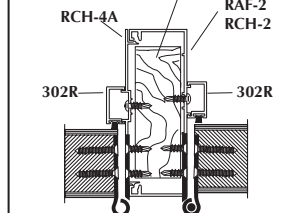
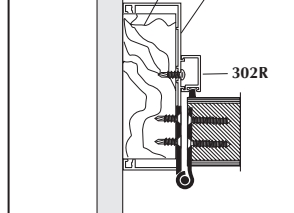

300 "R" Series - for 3 3/4" Walls

For full information on
Versatrac components, see
Extrusions and Accessories tab.

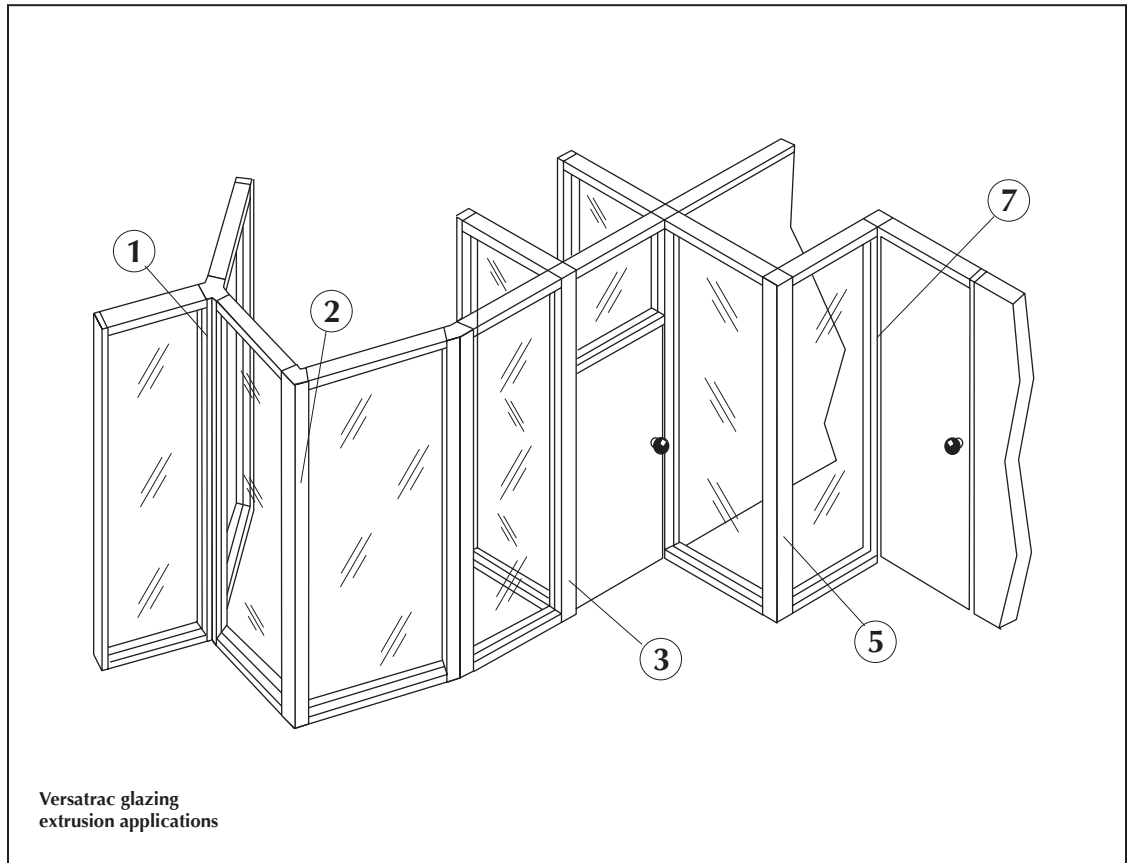
R-System 300 Series Cross Sections

<p>1. hinge jamb</p>	<p>2. strike jamb</p>	<p>3. conventional heater</p>	<p>4. strike jamb with side lite</p>	<p>5. side lite with steel stud</p>
<p>6. glazing jamb</p>	<p>7. glazing sill at floor</p>	<p>8. glazing mullion</p>	<p>9. glazing transom</p>	<p>10. glazing transom</p>
<p>11. recessed glazing header</p>	<p>12. floor header with boron nitride transom bar</p>	<p>13. partition casing</p>	<p>14. header at track/case opening</p>	<p>15. top track</p>
<p>16. outside corner with stainless steel</p>	<p>17. top trim with caulk</p>	<p>18. outside corner</p>	<p>19. transom hinge jamb</p>	<p>20. transom</p>

<p>1. Right hinge jamb at base</p> 	<p>6. Conventional header at base with side lite</p> 	<p>1. Conventional glazing header</p> 
<p>2. Right motion insulation</p> 	<p>1. Reverse door header</p> 	<p>1. Glazing to track</p> 
<p>1. Kick door header</p> 	<p>2. Top track door header</p> 	<p>2. Glazing sash at base</p> 
<p>1. Left strike jamb</p> 	<p>2. Hinge jamb at frame side light and glass transom</p> 	<p>2. Conventional header at base opening</p> 

<p>2. Double hinge jamb</p> 
<p>1. Hinge jamb against case</p> 
<p>1. Glazing base at door</p> 

Glazing Extrusions



For full information on
glazing extrusions, see
Extrusions and Accessories tab.

Glazing Extrusions Cross Sections

