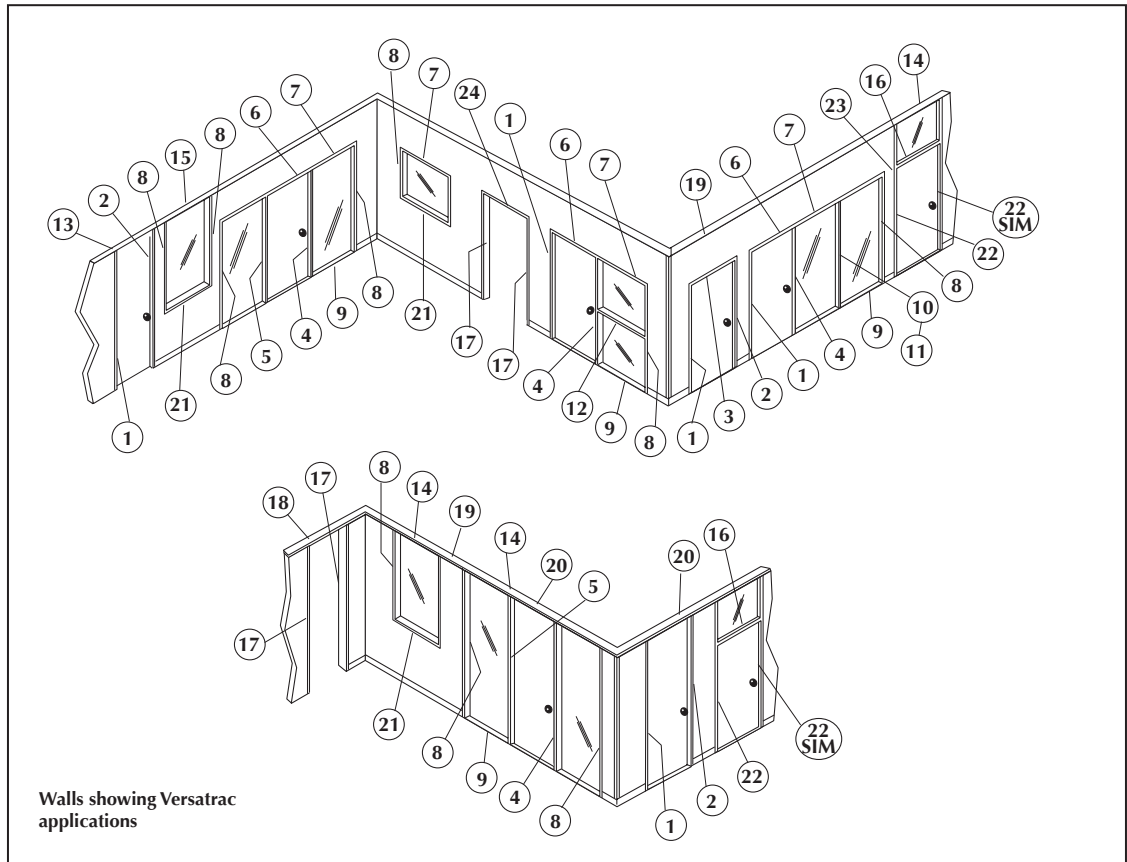


Cross Sections

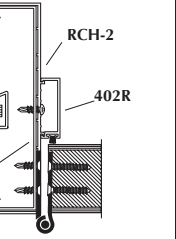
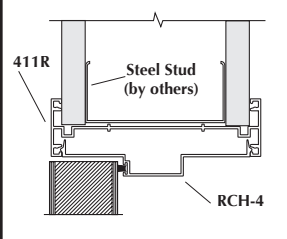
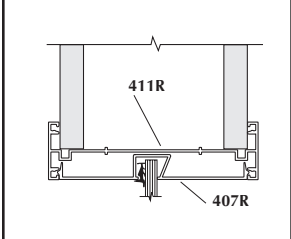
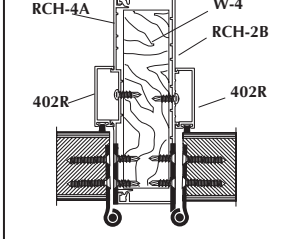
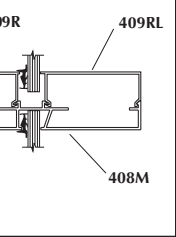
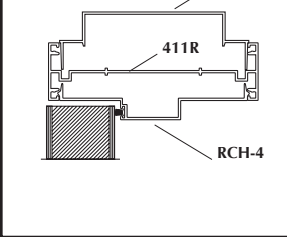
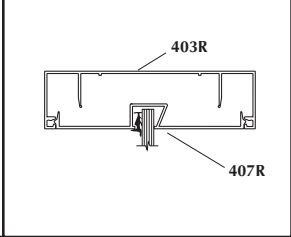
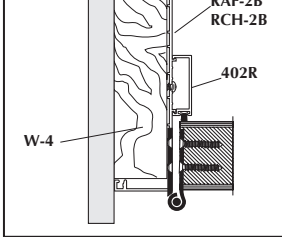
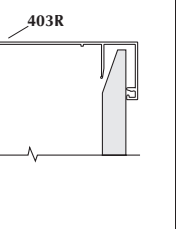
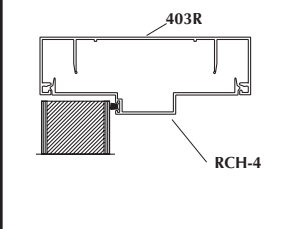
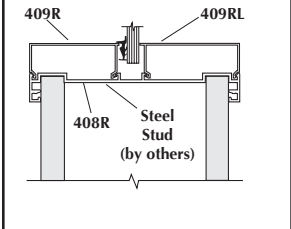



400 "R" Series - for 4 7/8" Walls

For full information on Versatrac components, see Extrusions and Accessories tab.

R-System 400 Series Cross Section

| | | | | |
|----------------------------------|---|---|--|---------------------------------|
| <p>1. hinge jamb</p> | <p>2. strike jamb</p> | <p>3. conventional header</p> | <p>4. strike jamb with sidelite</p> | <p>5. sidelite w/steel stud</p> |
| <p>8. glazing jamb</p> | <p>9. glazing sill at floor</p> | <p>10. glazing mullion</p> | <p>11. glazing H-mullion</p> | <p>12. glazing</p> |
| <p>15. reveal glazing header</p> | <p>16. door header with borrowed lite (transom bar)</p> | <p>17. partition casing</p> | <p>18. header at top track/cased opening</p> | <p>19. top tra</p> |
| <p>22. transom hinge jamb</p> | <p>23. transom strike jamb</p> | <p>24. conventional header at cased opening</p> | | |

| | | | |
|--|---|---|--|
| <p>hinge jamb ud</p>  | <p>6. conventional header (as used with sidelite)</p>  | <p>7. conventional glazing header</p>  | <p>25. double hinge jamb</p>  |
| <p>mullion w/snap</p>  | <p>13. reveal door header</p>  | <p>14. glazing top track</p>  | <p>26. hinge jamb against wall</p>  |
| <p>ck/drywall header</p>  | <p>20. top track door header</p>  | <p>21. glazing sill at drywall</p>  | <p>27. 4- glazing base at floor</p>  |