

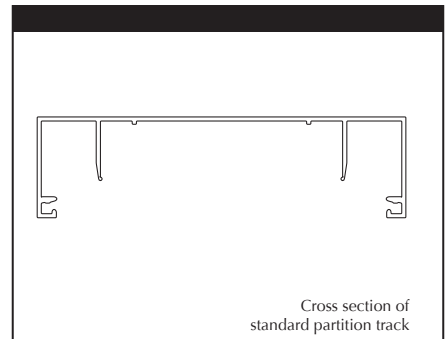
## Versatrac R-System Stock Extrusions, Clips and Accessories

Extrusions are available in 300 series (for 3 3/4" walls) and 400 series (for 4 7/8" walls). Standard finishes are Satin Metallic Bronze, Satin Black, Satin White Baked Enamel, and Clear Anodized. Bronze and Black Anodized finishes are available on special order.

[Standard face is 1 1/2" wide with 9/32" return.]

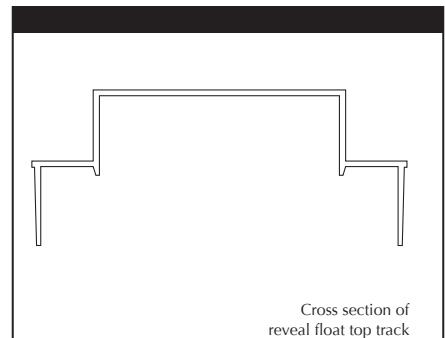
**Standard partition track** used in place of conventional ceiling drywall channel provides a rigid wall mounting member and decorative ceiling trim. For top track frames, borrowed lites and sidelites; acts as header for door frame and glazing extrusions. Functions as top cap for partial height wall partition. Has alignment pin channel.

**Part number:** 303R/403R  
**Standard length:** 10'7"  
**Box quantity:** 303R-(8) 403R-(6)



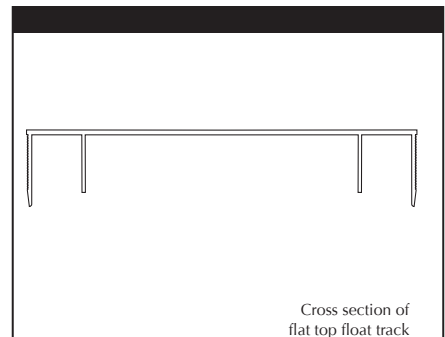
**Reveal float top track** replaces conventional drywall runner and metal "L" to create an accurate 3/4" reveal. Furnished in standard black painted finish.

**Part number:** 310/410  
**Standard length:** 12'1"  
**Box quantity:** 310-(18) 410-(16)

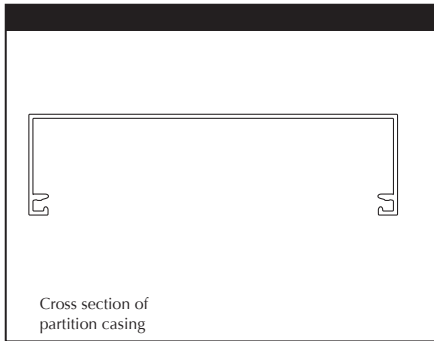


**Flat top float track** takes the place of the conventional ceiling runner and metal trim "L" to give an excellent wall/ceiling alignment. Can be used with Versatrac standard head frames. Furnished in mill finish.

**Part number:** 303F/403F  
**Standard length:** 12'1"  
**Box quantity:** 18

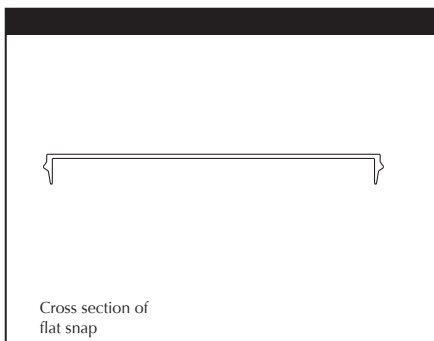


## Stock Extrusions, Clips and Accessories



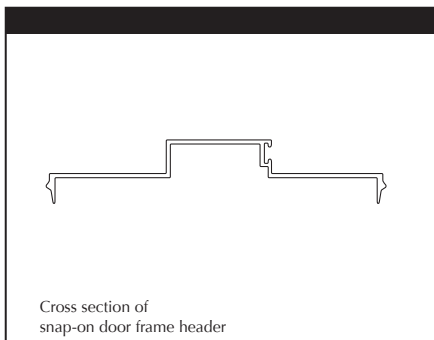
**Partition casing** is used for cased openings and double acting frames. Can be incorporated as header for sliding glass units. Serves as a vertical end cap for wall ending at columns or window mullions. Can be used as top cap for partial height walls in lieu of top track. Has alignment pin channel.

**Part number:** 313R/413R  
**Standard lengths:** 9'2"/18'4"  
**Box quantity:** 313R-(8); 413R-(6)



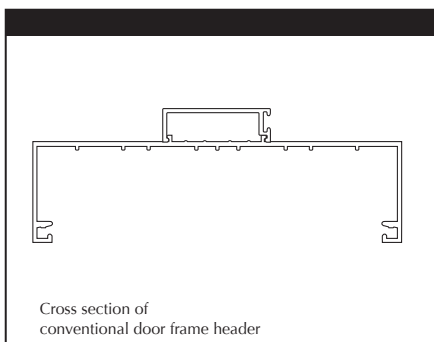
**Flat snap** acts as closure plate for top track and partition casing. Functions as snap-on header for cased opening.

**Part number:** 312R/412R  
**Standard lengths:** 9'2"  
**Box quantity:** 312R-(28); 412R-(32)



**Snap-on door frame header** functions where frame is used with sidelites and top track installations.

**Part number:** 305R/405R  
**Standard lengths:** 9'2"  
**Box quantity:** 12



**Conventional door frame header** for regular or ceiling height door frames. Can be fabricated to specified width and furnished with jamb attachment clips. Can be used with float type track No. 310, No. 410, No. 303F, and No. 403F..

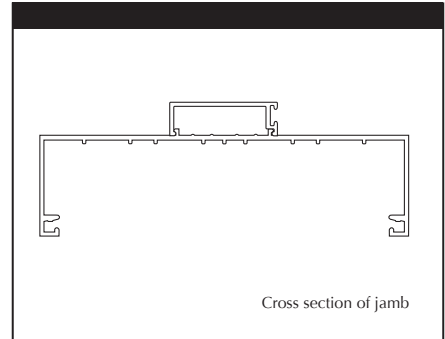
**Part number:** RAF-1  
**Standard lengths:** Fabricated to length as required  
**Box quantity:** 12

## Stock Extrusions, Clips and Accessories

**Hinge and strike jambs** for use with top track or sidelite frames as well as conventional frames. Can be fabricated to length and handed as specified. Standard hardware preparation can be made for three 4 1/2" standard weight butt hinges and 4 7/8" or 2 3/4" strike. See Framing Systems section for complete details.

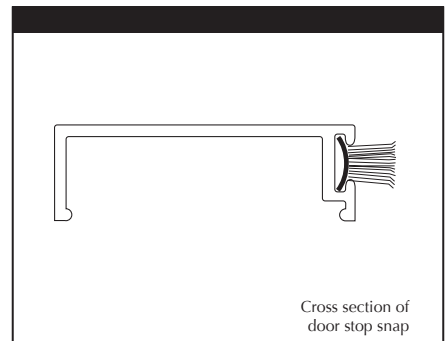
**Part number:** RAF-2/RCH-2 (Hinge)  
RAF-3/RCH-3 (Strike)

**Standard lengths:** Jambs over 8'0" supplied with 2" extra length unless specified otherwise



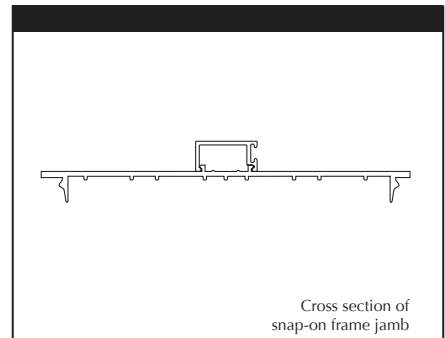
**Door stop snap** shown in combination with door frame header and hinge/strike jamb. Includes black mohair sound seal.

**Part number:** 302R/402R  
**Standard lengths:** 9'2"



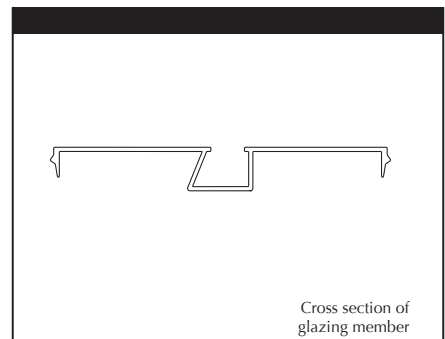
**Snap-on frame jamb** for use with corner mullions to hang door at glass intersection, and with standard jamb for hanging two doors on one jamb member. Can also be used with glazing base to form transom bar.

**Part number:** RCH-4A  
**Standard length:** 9'2"

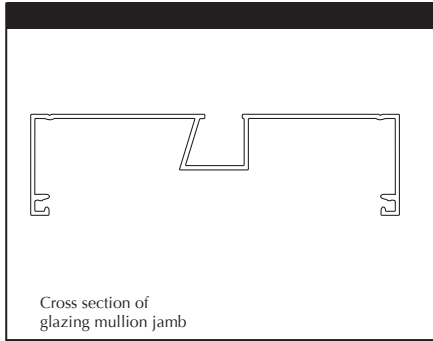


**Glazing member** fits jambs, all mullions and top tracks. For 1/4" or 3/8" glass.

**Part number:** 307R/407R  
**Standard lengths:** 9'2" / 12'0"  
**Box quantity:** 307R-(16); 407R-(14)

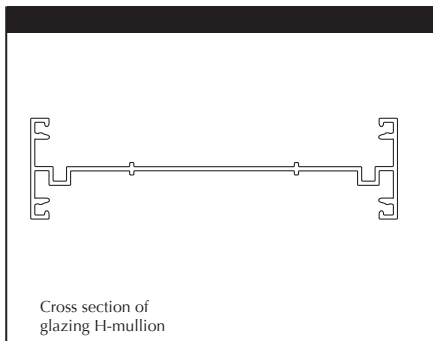


## Stock Extrusions, Clips and Accessories



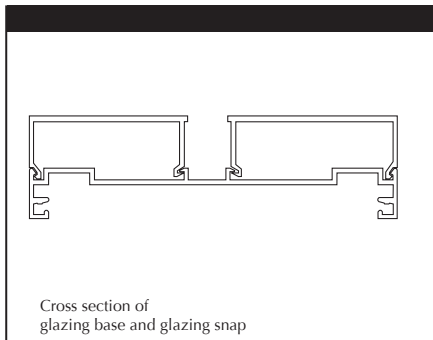
**Glazing mullion/jamb** acts as mullion for glass, or as jamb where glass and drywall meet. For 1/4" or 3/8" glass.

**Part number:** 306R/406R  
**Standard lengths:** 9'2" / 12'0"  
**Box quantity:** 306R-(8); 406R-(6)



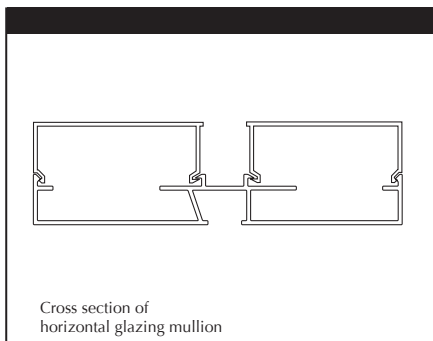
**Glazing H mullion** fits No. RCH-4A, RCH-4, and No. 307R/407R snap-on sections; has rib guide for installation of drywall stud. Can be used as a mullion, separating glass units where glass and drywall meet. Can also be used for partition that ends at a round column, or as a special application header.

**Part number:** 311R/411R  
**Standard lengths:** 9'2" / 12'0"  
**Box quantity:** 311R-(7); 411R-(5)



**Glazing base and glazing snap** fit snap-on sections. Designed as sill for sidelites and borrowed lites. Can be used as header for partial height solid partitions which have glass to ceiling. For 1/4" or 3/8" glass.

**Part number:** 308R/309R/309RL  
 408R/409R/409RL  
**Standard lengths:** 10'7"  
**Box quantity:** 308R/309R/309RL-(8)  
 408R/409R/409RL-(6)



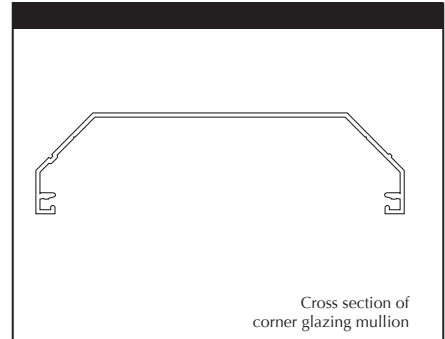
**Horizontal glazing mullion** is a combination of glazing member and glazing snap used as a horizontal mullion for 1/4" or 3/8" glass.

**Part number:** 308M/309R/309RL  
 408M/409R/409RL  
**Standard lengths:** 10'7"  
**Box quantity:** 308R/309R/309RL-(8)  
 408R/409R/409RL-(6)

## Stock Extrusions, Clips and Accessories

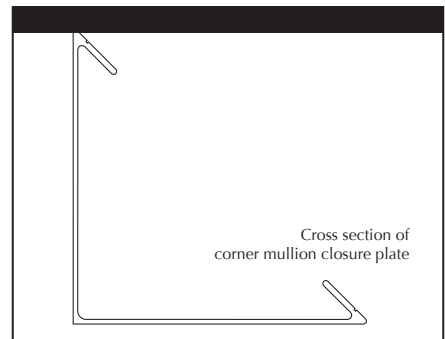
**Corner glazing mullion** for glass partitions at corner and intersections. Two mullions can be used with various closure plates and wedges to form 90°, 120° and 135° corners. Three mullions with plate form a glass wall intersection. Four mullions form a four-way intersection. Corner mullion will accept snap-in door jamb No. RCH-4A.

**Part number:** 325R/425R  
**Standard length:** 9'2"  
**Box quantity:** 325R-(8); 425R-(6)



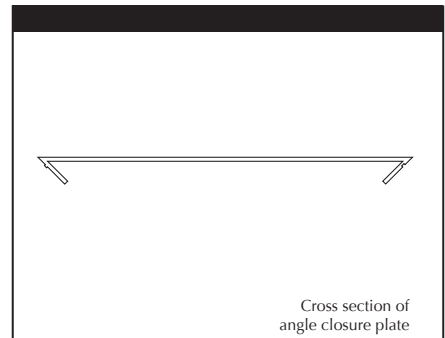
**Corner mullion closure plate** for use with two No. 325R or No. 425R corner mullions to form a 90° corner in a glass partition.

**Part number:** 326R/426R  
**Standard length:** 9'2"



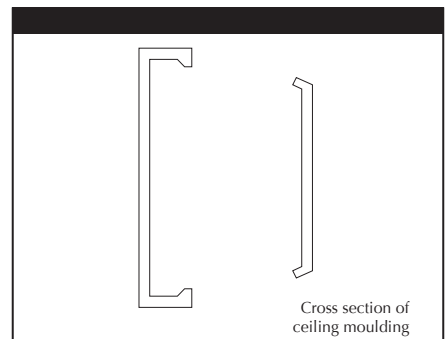
**Angle Closure Plate** for use with three corner mullions to form 3-way intersection in partition

**Part number:** 327R/427R  
**Standard length:** 9'2"

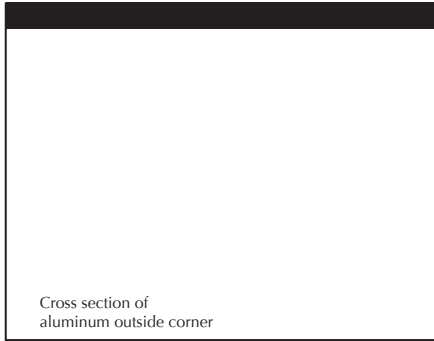


**Ceiling moulding** matches appearance of top track with same return. Snaps on with wall clip No. 332. Furnished with eight 2 1/2" clips for each twelve foot length.

**Part number:** 333 and 332 clips  
**Standard length:** 12'0"  
**Box Quantity:** 42

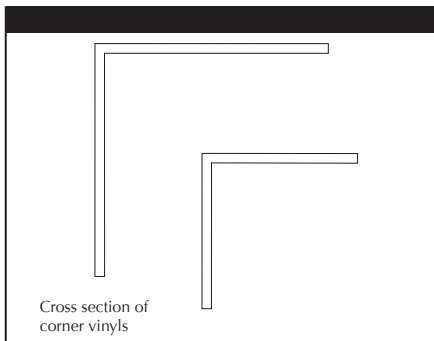


## Stock Extrusions, Clips and Accessories



**Outside corners:** No. 337R 1-1/2" corner with 9/32" return to match top track trim, applied with 332 receiver.

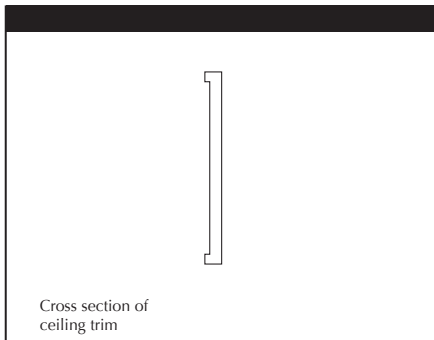
**Part number:** 337R  
**Standard length:** 9'0"  
**Box Quantity:** 337-(18)



**Outside corner vinyl** No. 336VO, 1 1/2" x 1 1/2", can also function as top trim; applied with adhesive, and furnished in bronze or black.

**Inside corner vinyl** No. 336VI, 1" x 1", applied with adhesive, and furnished in bronze or black.

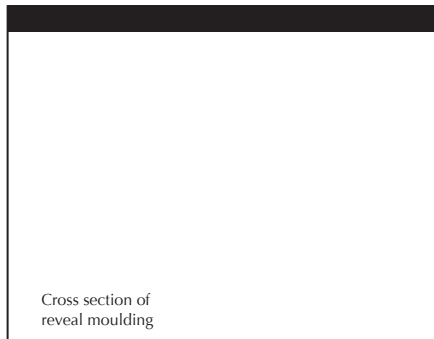
**Part number:** 336VO and 336VI  
**Standard length:** 10'0"  
**Box Quantity:** 75



**Ceiling trim** 1 1/2" matches Versatrac components. Applied with adhesive, and furnished in bronze or black.

**Part number:** 336V  
**Standard length:** 10'0"  
**Box quantity:** 75

Also available in 50' rolls.

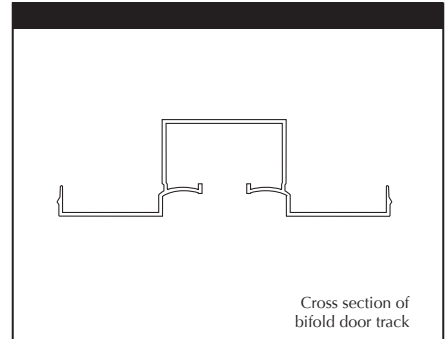


**Reveal Moulding** 310A 3/4" reveal moulding—caps 5/8" gypsum board to simulate 3/4" reveal header track—1/8" nib locates ceiling angle above 3/4" recessed reveal; finished in satin black; 12'0" length.

## Stock Extrusions, Clips and Accessories

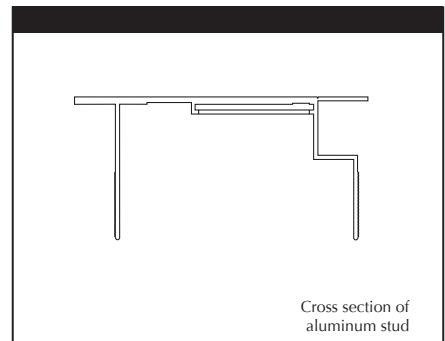
**Bifold door track** gives finished appearance when used with 300 or 400 series track. See Bifold, Bypass, Pocket tab for complete details.

**Part number:** 350R/450R  
**Standard lengths:** 8'2"



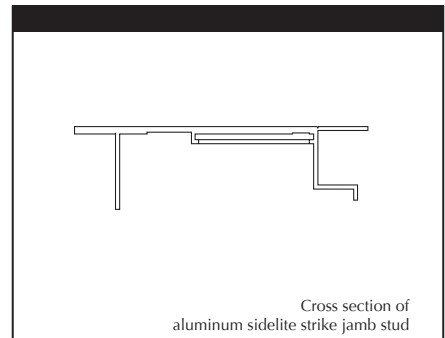
**Aluminum stud 304/404**, for 5/8" drywall is furnished in mill finish for attachment directly to drywall or other panels. Groove in back accepts header clip K-10 for jamb attachment to sidelite header. For simplicity and ease of installation, strike and hinge studs are the same extrusion shape.

**Part number:** 304/404



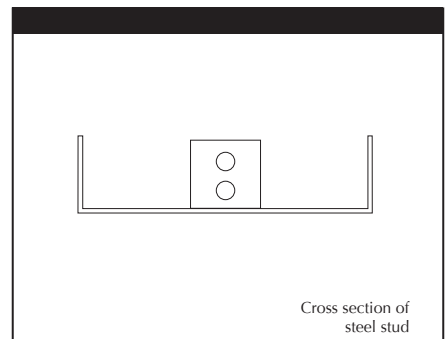
**Aluminum sidelite strike jamb stud** has short legs to accommodate glass sidelites. Furnished full length and attached to frame; in mill finish.

**Part number:** 322/422  
**Standard lengths:** 8'11"  
**Box quantity:** 322-(24); 422-(18)



**Steel stud** used for frame reinforcement at hinge jamb/sidelite. Furnished in 16 gage galvanized, with attached angle clips for installation. Must be drilled and tapped for hinge screws in the field.

**Part number:** STL-3R (for 300 series)  
STL-4R (for 400 series)  
**Standard lengths:** 8'11"



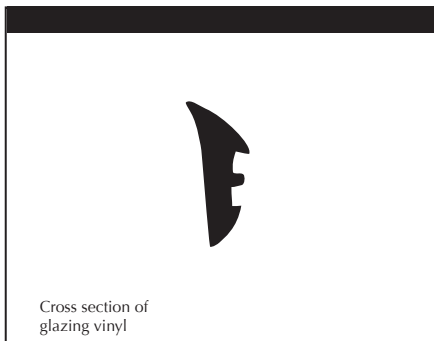
## Stock Extrusions, Clips and Accessories



**Glazing vinyl** used on one side of 1/4" glass only.

**Part number:** V-2 Bronze V-4 Gray  
V-3 Black V-5 White

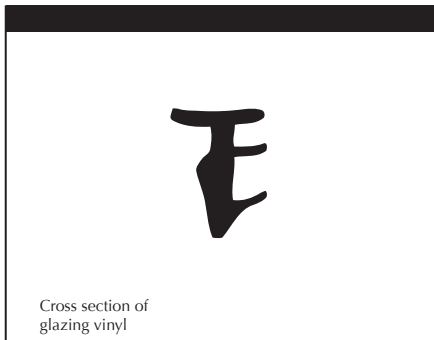
**Standard lengths:** 400 ft. rolls



**Glazing vinyl** used whenever 3/8" glass is used.

**Part number:** V-2A Bronze V-4A Gray  
V-3A Black V-5A White

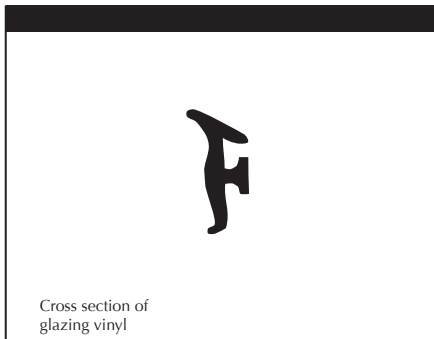
**Standard lengths:** 400 ft. rolls



**Versatrim Glazing** vinyl for use with 1/4" glass. Installed opposite the V-6P glazing vinyl.

**Part number:** V-6P Bronze V-6P Gray  
V-6P Black V-6P White

**Standard lengths:** 750 ft. rolls



**Versatrim Glazing** vinyl for use with 1/4" glass.

Note: V-6S vinyl must be inserted into aluminum prior to installation.

**Part number:** V-6S Bronze V-6S Gray  
V-6S Black V-6S White

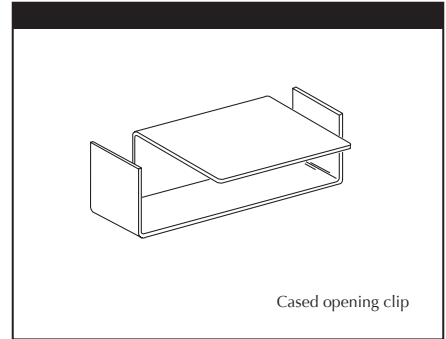
**Standard lengths:** 750 ft. rolls



## Stock Extrusions, Clips and Accessories

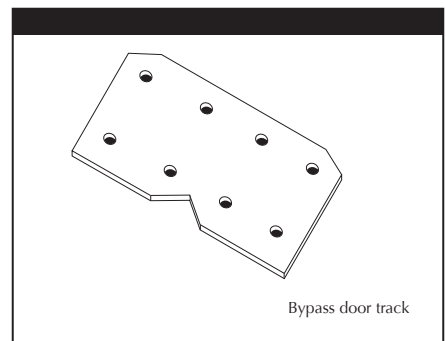
**Cased opening clip** attached directly to vertical steel stud. Drywall allows positive snap-on mounting of cased opening 313R or 413R at wall ends without use of adhesive or exposed screws.

**Part number:** K-20R/K-40R



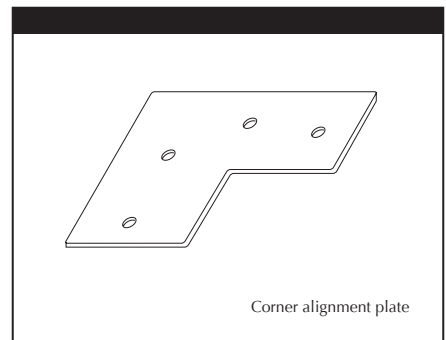
**Straight alignment plate** fits inside top track 303R or 403R to ensure perfect alignment at all butt joints.

**Part number:** K-5R



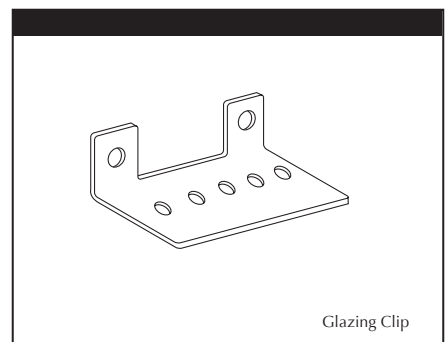
**Corner alignment plate** mounts in back to ensure top track alignment at 90° corner

**Part number:** K-6

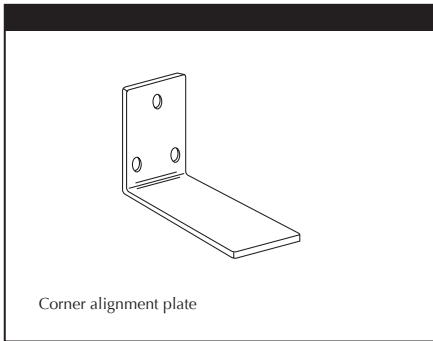


**Glazing clip** used for connecting vertical and horizontal glazing mullions when using 303R or 403R top track as header.

**Part number:** K-2

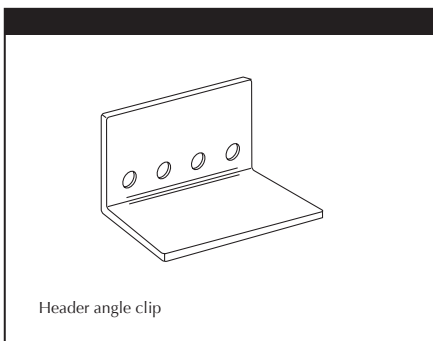


## Stock Extrusions, Clips and Accessories



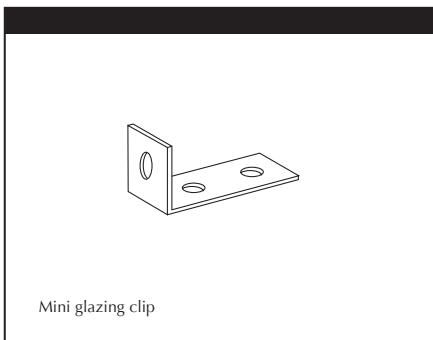
**Angle clip** used to connect hinge jamb to header at sidelite.

**Part number:** K-10



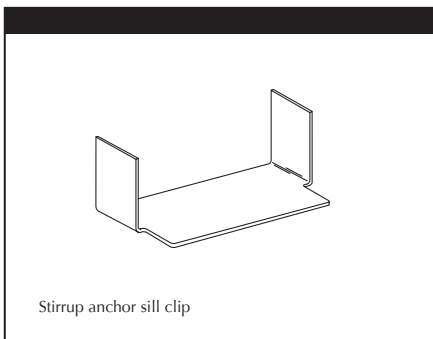
**Header angle clip** mounted on conventional header for attaching to frame jambs.

**Part number:** K-9



**Mini glazing clip** used for attaching base and horizontal mullions at vertical members. Can also be used instead of K-2 clip.

**Part number:** K-56 B



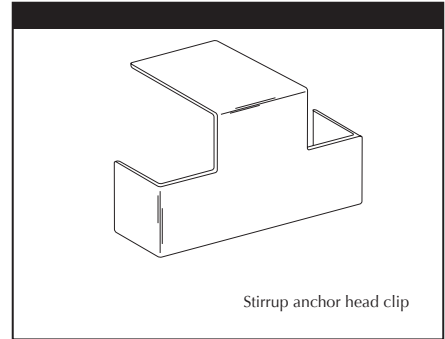
**Stirrup anchor sill clip** used for sidelite jamb to floor connection. Also for intermediate mullion to floor connection.

**Part number:** K-16S R

## Stock Extrusions, Clips and Accessories

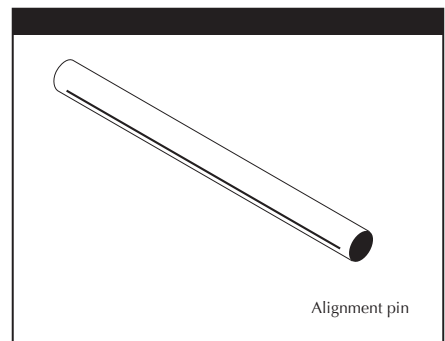
**Stirrup anchor head clip** used for sidelite jamb to header connection. Used for header connection where glazing terminates at end cap.

**Part number:** K-16H R



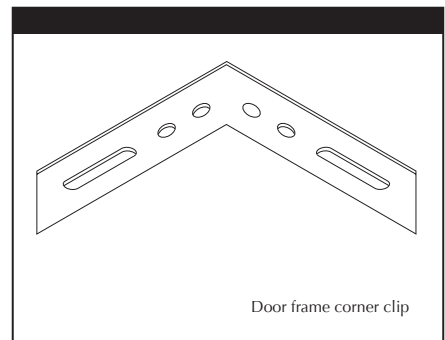
**Alignment pin** fits top track, H-mullion, cased opening and some trim sections.

**Part number:** RP-1



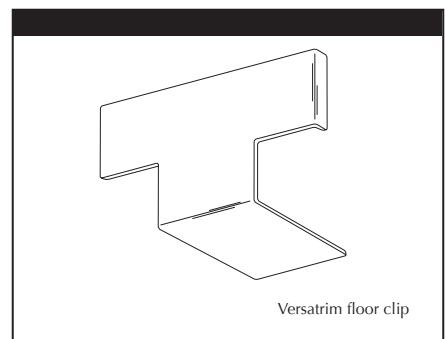
**Corner clip** aligns miter corner connections of adjustable aluminum door frame headers and jambs. Aligns corners of Versatrim sidelites and borrowed lites.

**Part number:** K-14

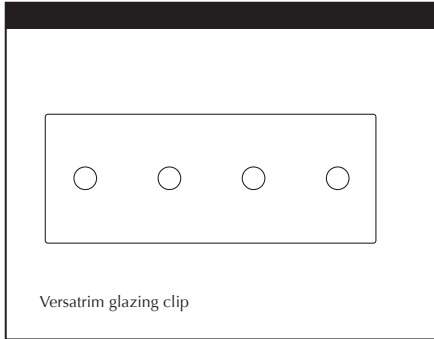


**Versatrim floor clip** can be used for sidelite jamb to floor connection.

**Part number:** K-16V

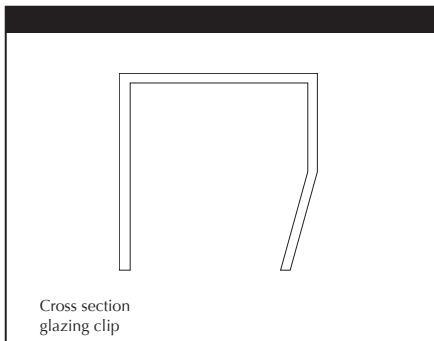


## Stock Extrusions, Clips and Accessories



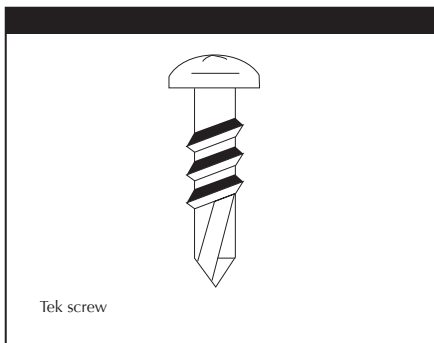
**Versatrim Glazing Clip** is used for connecting vertical and horizontal glazing mullion.

**Part number:** K-1



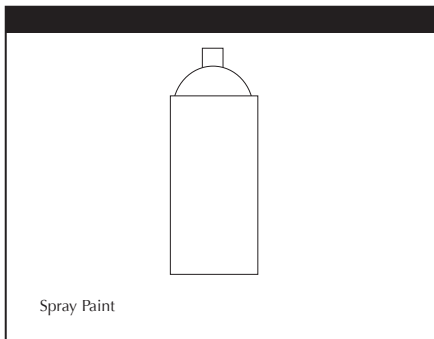
**Clip** straddles glass offset of 307R/407R; resists force exerted by glazier during installation of glazing vinyl.

**Part number:** K-35



**Aluminum framing screw** 16 x 5/8" phillips pan head TEK screw.

**Part number:** T-10



**Spray paint** to match standard colors.

**Part number:** SP-4 Dark Bronze  
SP-5 Black  
SP-7 White

**PAINT PENS ALSO AVAILABLE IN BRONZE AND BLACK**