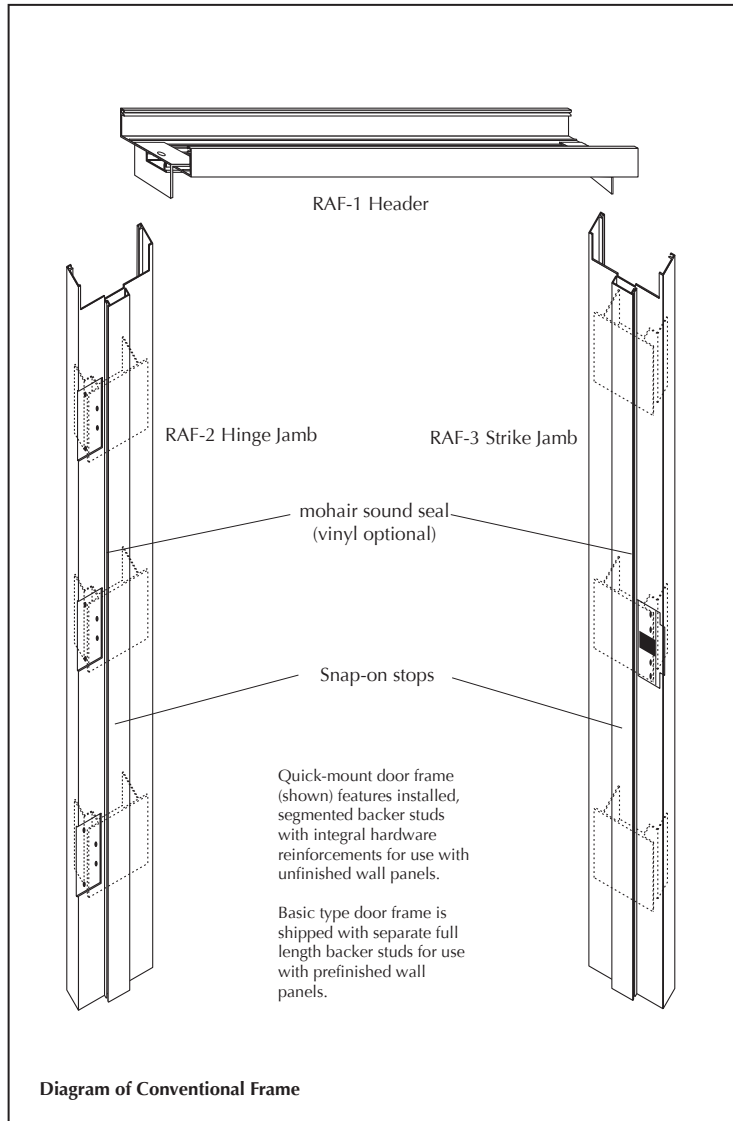
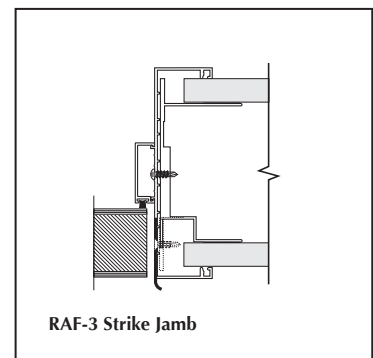
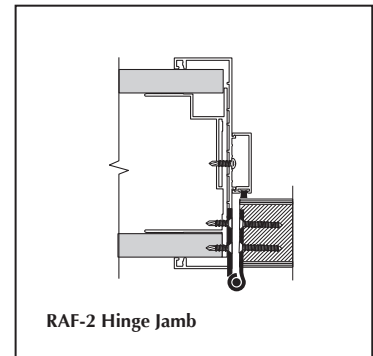
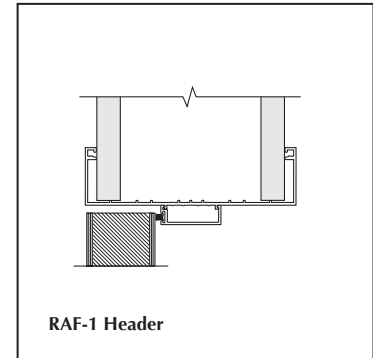


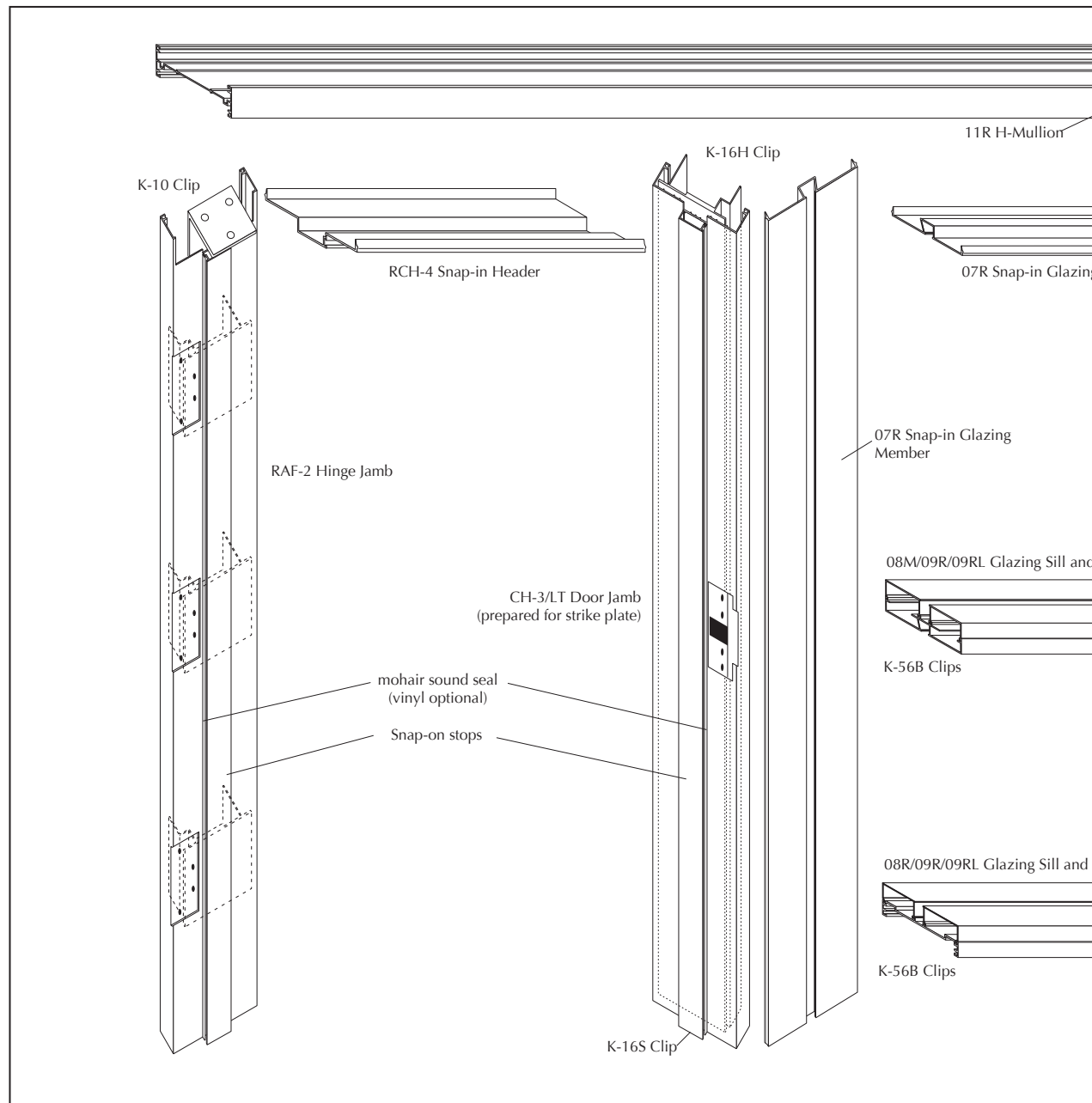
R-System Conventional, Freestanding Aluminum Door Frame



Cross Sections

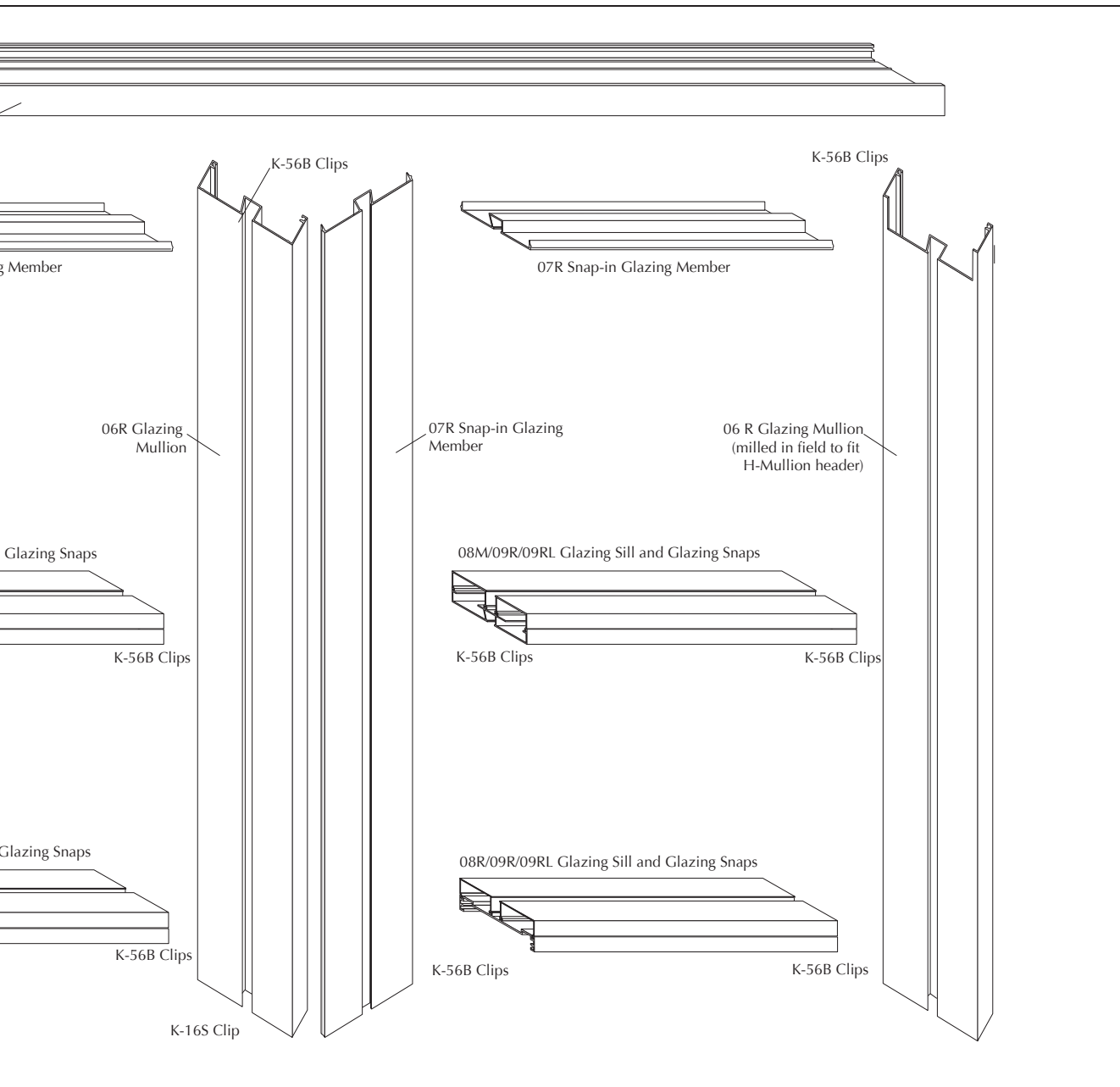


Conventional, Freestanding Aluminum Door Frame with Sidelites



300 Series (for 3 3/4" walls) shown. 400 Series (for 4 7/8" walls) also available.

Lineals are specified by series number and part number. For example, a 300 Series glazing mullion would be part 306R.

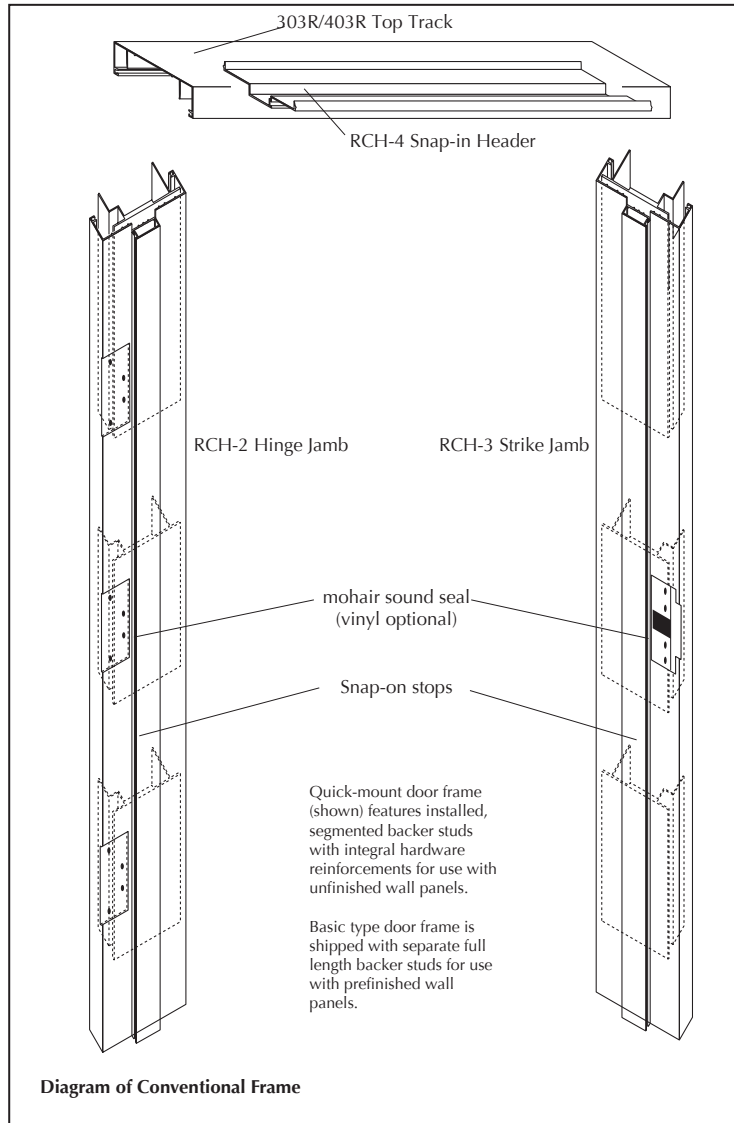


RCH and RAF jambs differ in end punching. RCH jambs are crossed by header member, and are used in top track frames, and conventional frames as

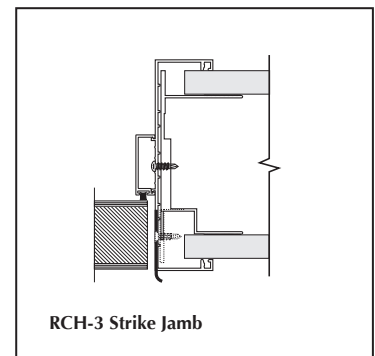
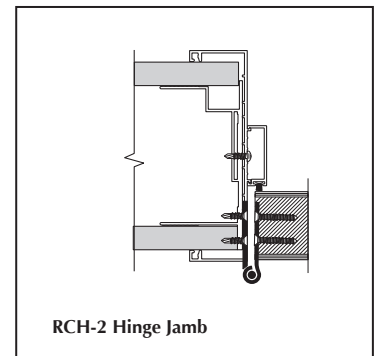
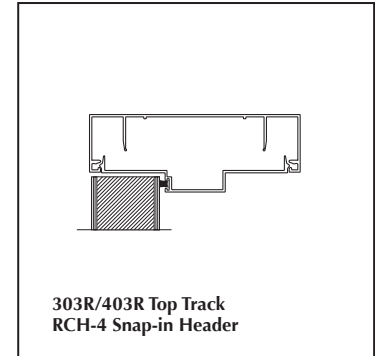
sidelights. RAF jambs are notched to extend past header member to close off end. Used for conventional frames.

Lineals furnished in stock lengths for field cutting.

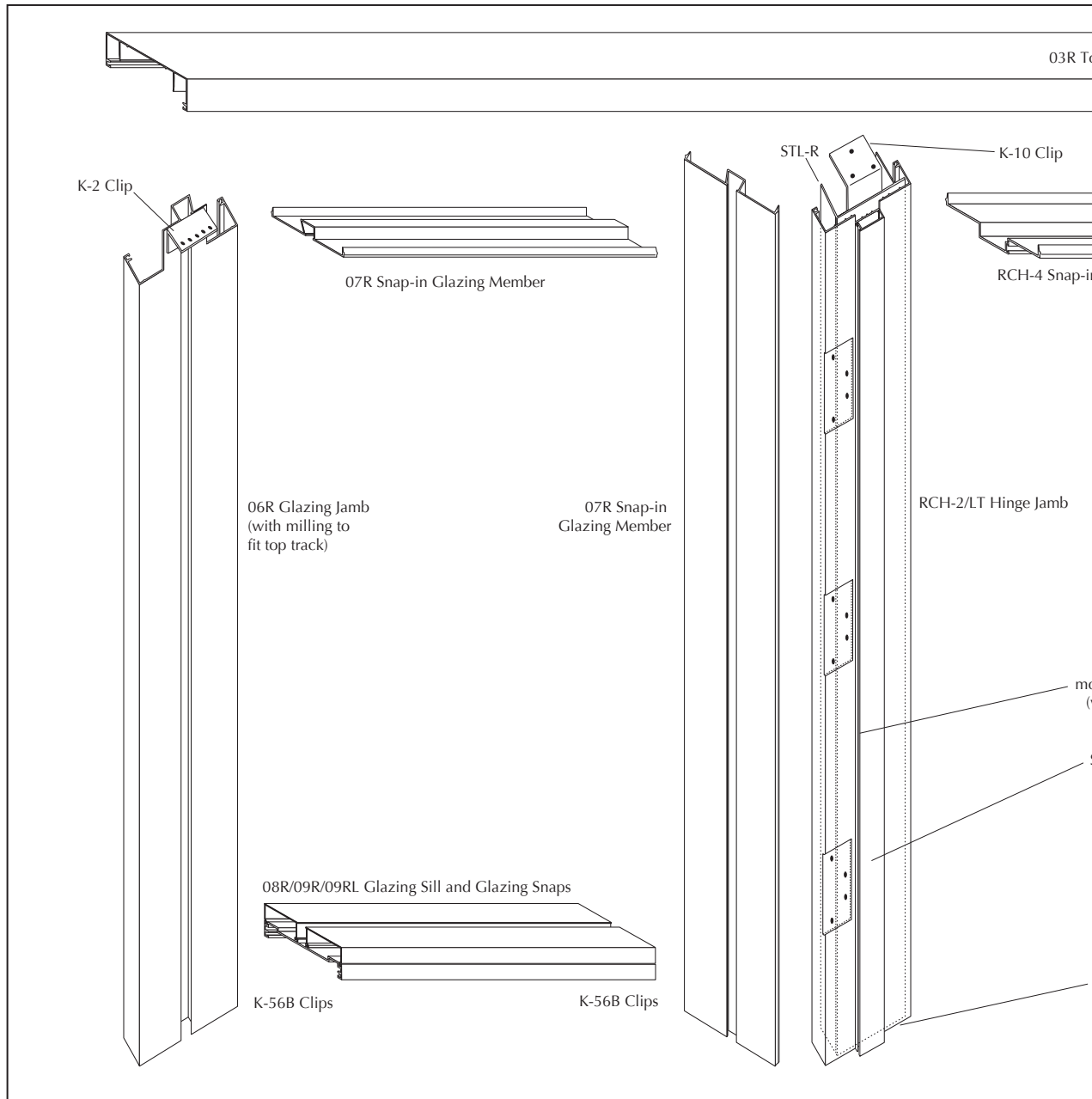
Top Track Aluminum Door Frame



Cross Sections



Top Track Aluminum Door Frame with Sidelites



300 Series (for 3 3/4" walls) shown. 400 Series (for 4 7/8" walls) also available.

Lineals are specified by series number and part number. For example, a 300 Series glazing mullion would be part 306R.