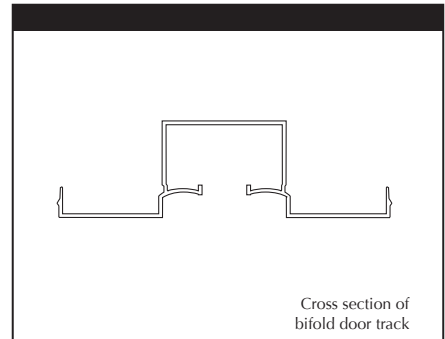


Stock Extrusions, Clips and Accessories

Bifold door track gives finished appearance when used with 300 or 400 series track. See Bifold, Bypass, Pocket tab for complete details.

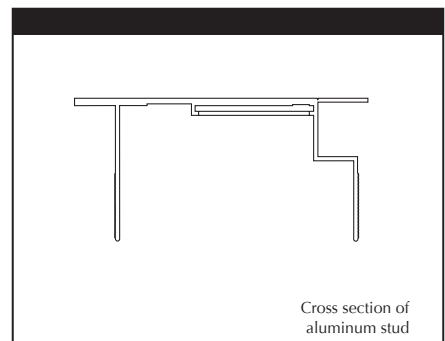
Part number: 350R/450R

Standard lengths: 8'2"



Aluminum stud 304/404, for 5/8" drywall is furnished in mill finish for attachment directly to drywall or other panels. Groove in back accepts header clip K-10 for jamb attachment to sidelite header. For simplicity and ease of installation, strike and hinge studs are the same extrusion shape.

Part number: 304/404

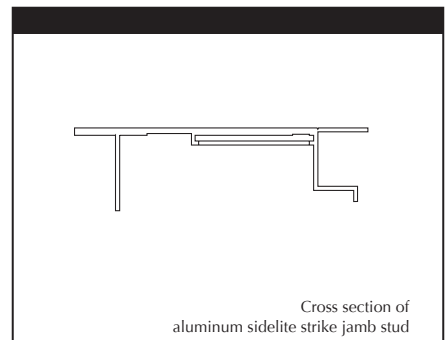


Aluminum sidelite strike jamb stud has short legs to accommodate glass sidelites. Furnished full length and attached to frame; in mill finish.

Part number: 322/422

Standard lengths: 8'11"

Box quantity: 322-(24); 422-(18)

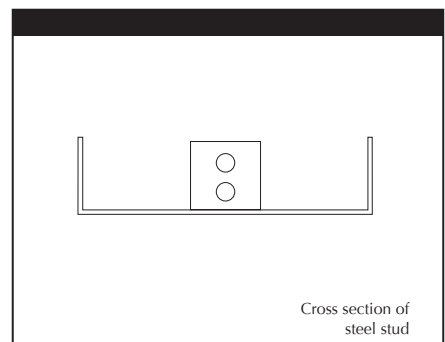


Steel stud used for frame reinforcement at hinge jamb/ sidelite. Furnished in 16 gage galvanized, with attached angle clips for installation. Must be drilled and tapped for hinge screws in the field.

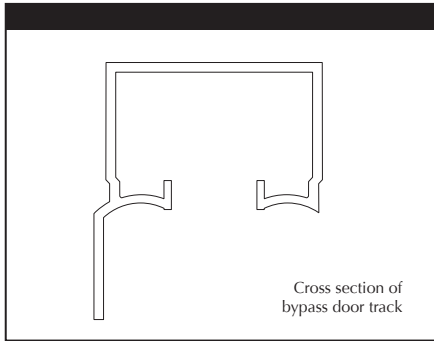
Part number: STL-3R (for 300 series)

STL-4R (for 400 series)

Standard lengths: 8'11"

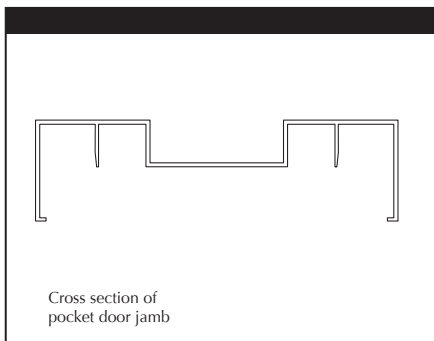


Stock Extrusions, Clips and Accessories



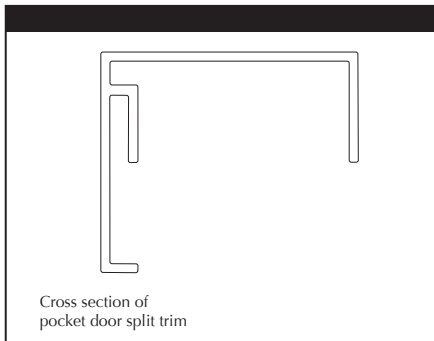
Bypass door track has fascia to hide hangers and opening between track and hangers. Two units fit into 300 series top track. May be used with 400 series extrusions with addition of wood filler block. Will accommodate ceiling height door. See Bifold, Bypass, Pocket tab for complete details.

Part number: 455
Standard lengths: 8'2"



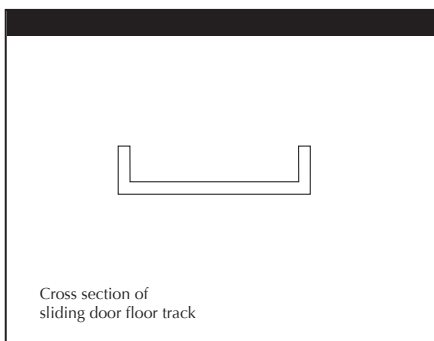
Pocket door jamb mounts opposite the door pocket; with recess for complete closure and finished appearance. See Bifold, Bypass, Pocket tab for complete details.

Part number: 453
Standard lengths: 9'2"



Pocket door split trim covers both sides of door pocket opening. See Bifold, Bypass, Pocket tab for complete details.

Part number: 454
Standard lengths: 9'2"



Sliding door floor track is made from bronze colored vinyl. If continued across door opening, attach directly to floor and butt carpet up against sides. See Bifold, Bypass, Pocket tab for complete details.

Part number: 464
Standard lengths: 8'2"