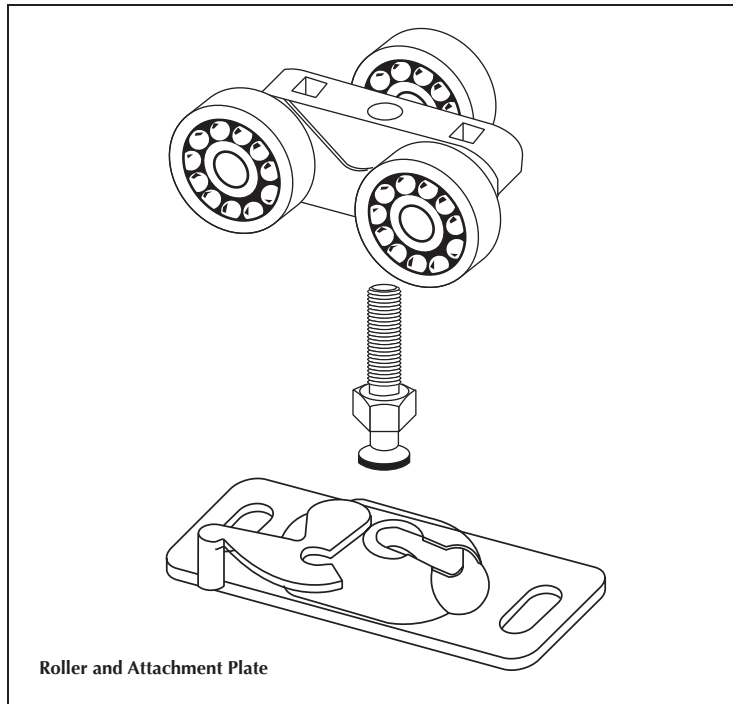


Bifold, Bypass Pocket Door Units



Roller and Attachment Plate

Versatrac frames and hardware for bifold, bypass and pocket doors are specifically designed for commercial use. All parts operate smoothly and quietly - even in installations using 125 pound doors.

We supply Versatrac bifold, bypass and pocket door frames complete with hangers, tracks and trolleys (flush pulls, edge pulls and dead locks are available at extra cost).

Product Description

Versatrac folding and sliding door rollers allow the door to be easily removed by opening a latch on the roller attachment. The doors can be just as easily rehung. Rollers are permanently lubricated for years of trouble-free service.

The frame units can be used for installations up to nine feet in height and eight feet in width. Ceiling height units are furnished with a roller track that snaps into the top track. Conventional units are furnished to resemble a conventional frame.

The roller bearing trolleys accommodate solid core doors up to 9'0" in height and 1 3/4" thick. Hollow core doors can be specified for lower opening effort.

Hanger tracks and jambs are furnished at standard lengths for field sizing. Standard length for jambs is 9'2"; for hanger tracks, 8'0".

Installation

Versatrac bifold, bypass and pocket door frames and hardware are carefully wrapped and packed for shipping. Units are individually cartoned and labeled for easy identification and installation.

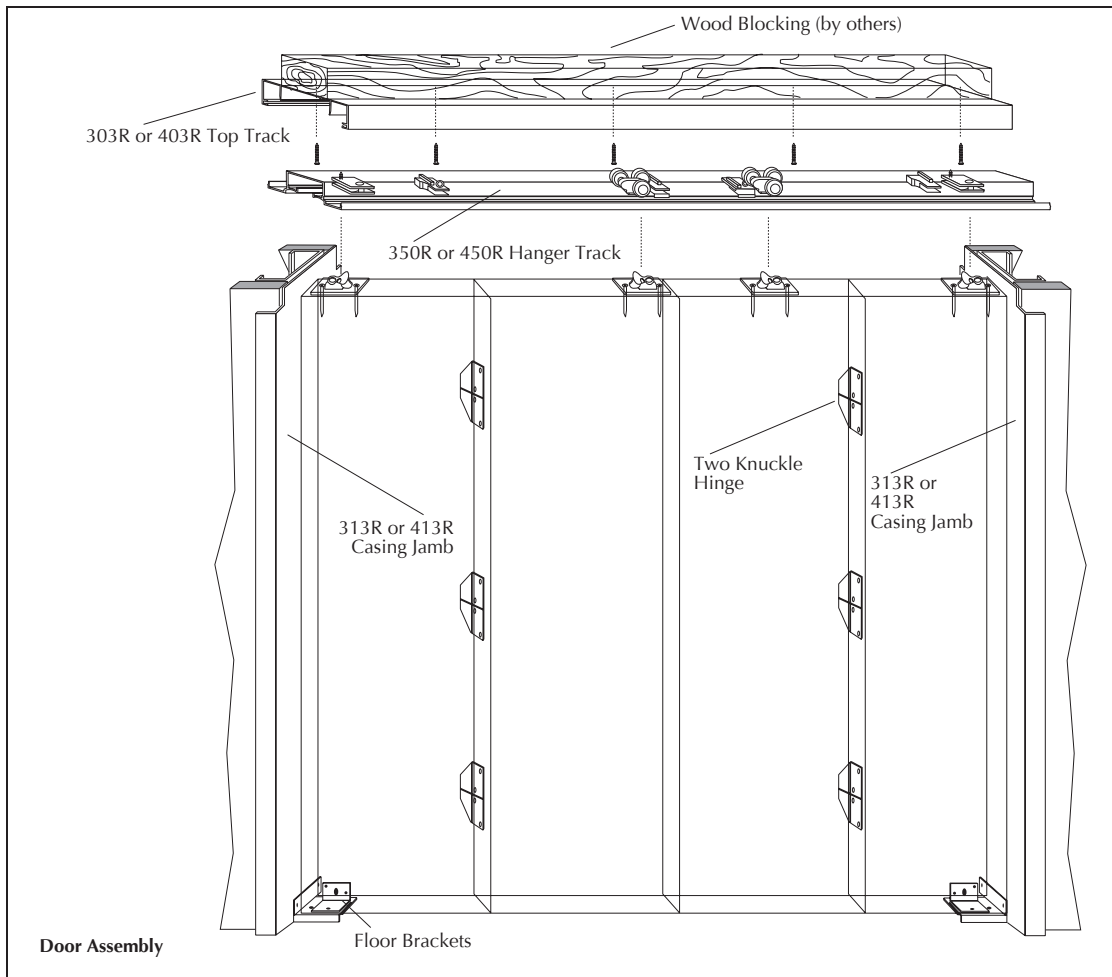
For full installation instructions, refer to the section in the back of this guide.

Materials and Finishes

Satin Metallic Bronze, Satin Black, White, and Natural Clear Anodized finishes are available. Custom colors and anodic finishes are also available at additional cost. All painted finishes are a thermosetting polyester acrylic, which provides a hard surface that is highly resistant to scratching.

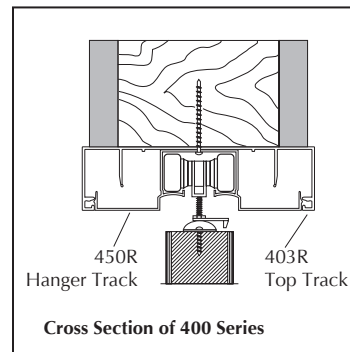
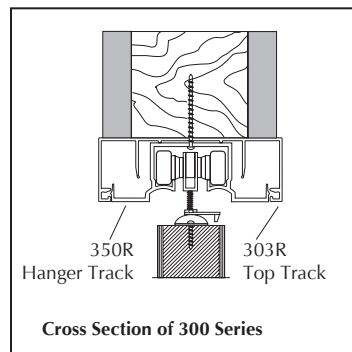
All frame components are extruded from aluminum alloy 6063-T5, with a minimum thickness of 0.062".

Bifold Door Units

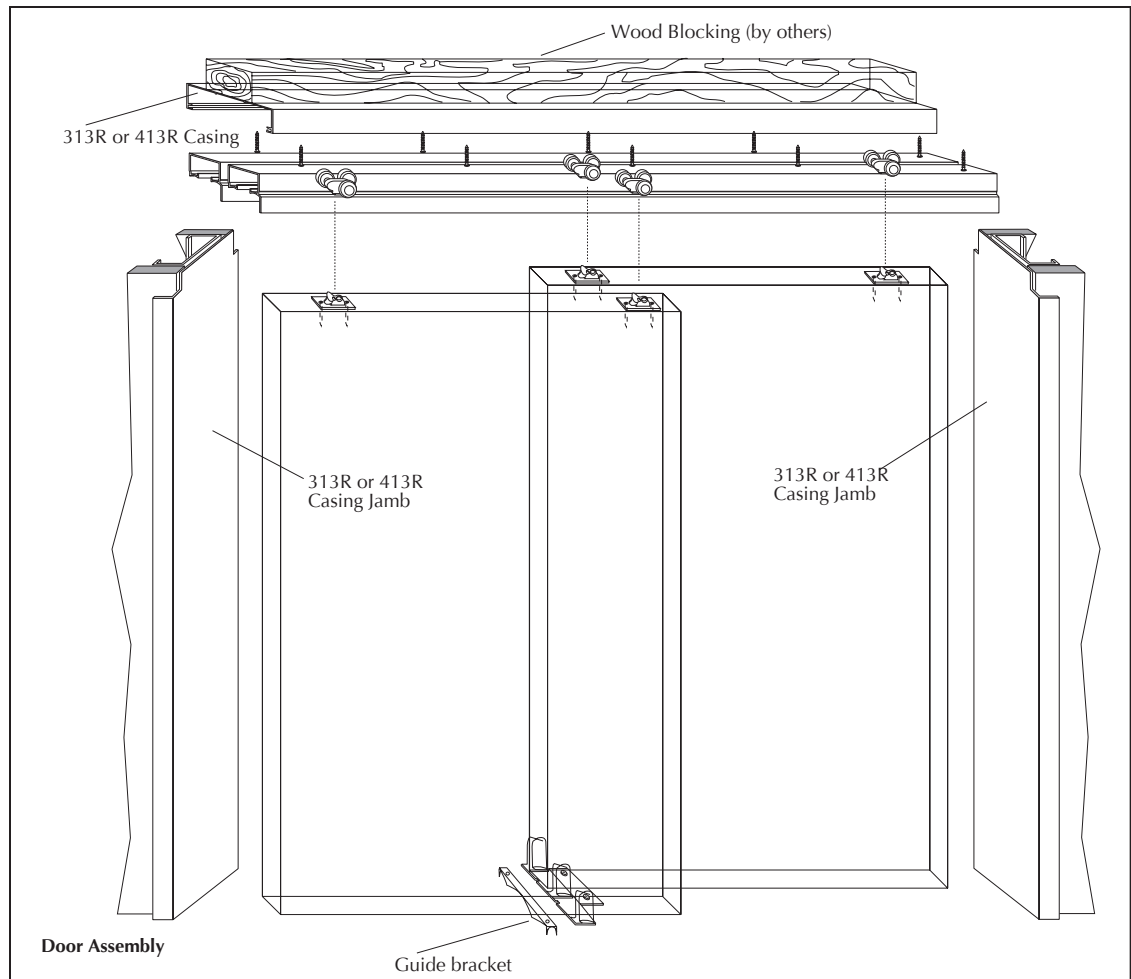


Versatrac bifold aluminum frame units offer the same attractive appearance as other Versatrac components. Bifold units are available in series 300 (for 3 3/4" walls) and series 400 (for 4 7/8" walls). Typical applications use 313R or 413R Casing Jamb.

Cross Sections

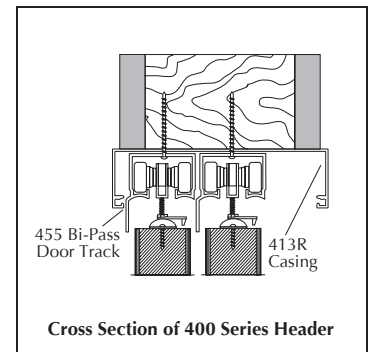
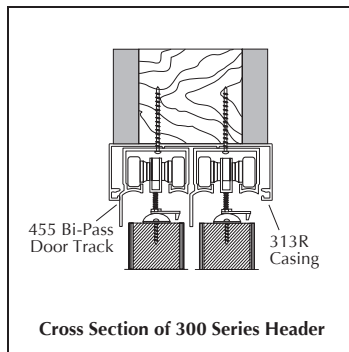


Bypass Door Units

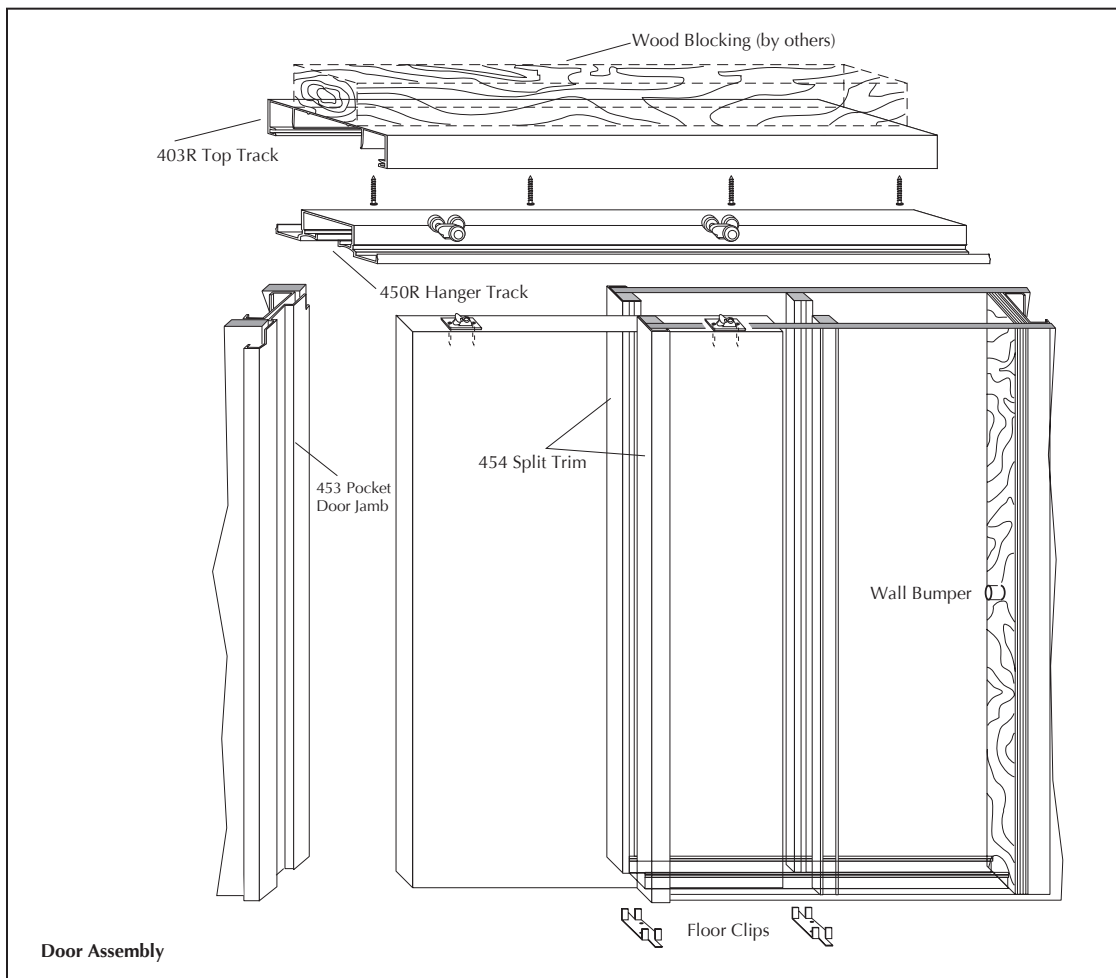


Versatrac bypass aluminum frame units provide the same attractive appearance as other Versatrac components. Bypass units are available in series 300 (for 3 3/4" walls) and series 400 (for 4 7/8" walls). Typical applications use 313R or 413R Casing Jamb. Roller bearing trolleys and the heavy duty track are concealed.

Cross Sections



Pocket Door Units



Versatrac pocket door and biparting door units offer the same attractive appearance as other Versatrac components. Typical installation can be top track (using previously installed 403R Top Track). These units are available in 400 series (for 4 7/8" walls) only.

Cross Sections

