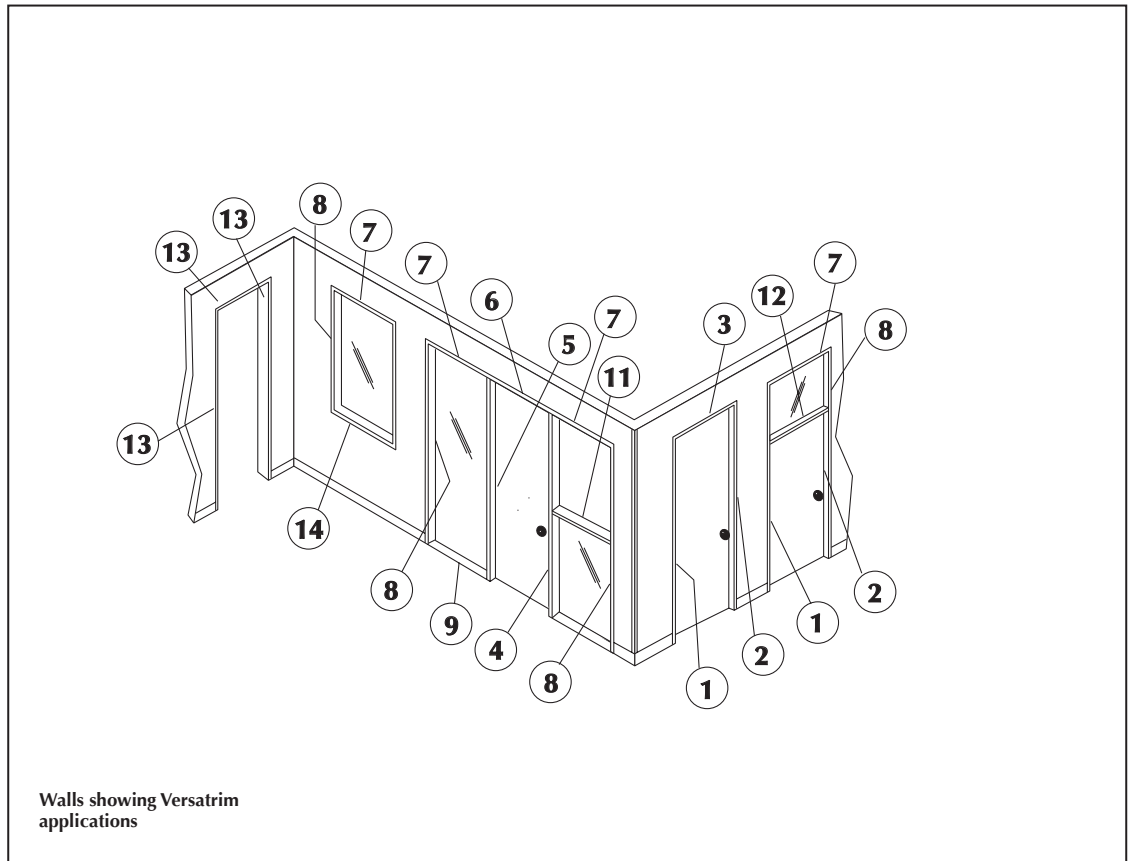


Versatrim Cross Sections - S150 1½" Trim

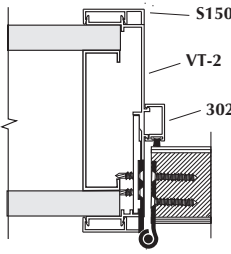
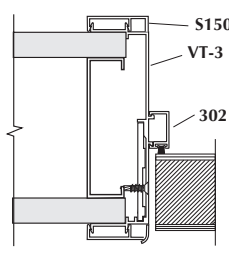
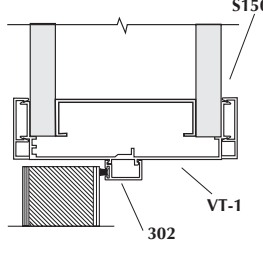
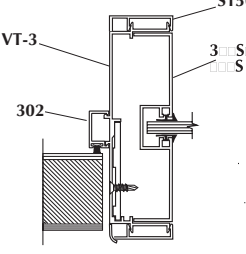
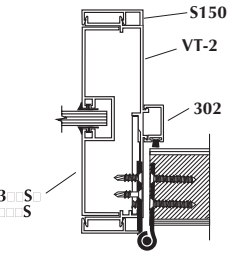
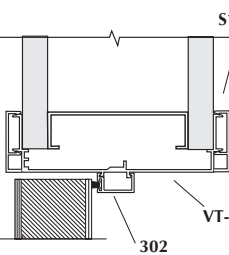
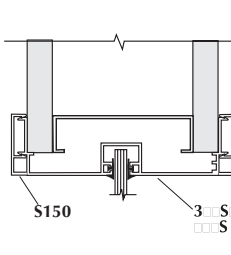
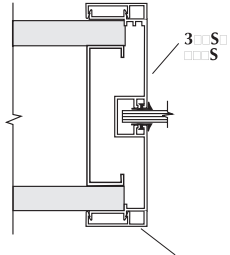
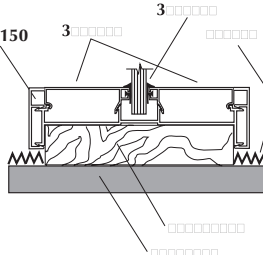
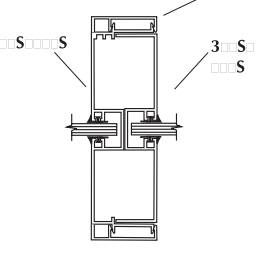
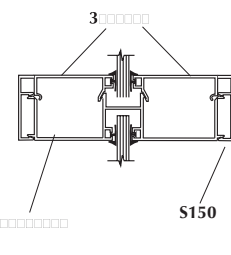
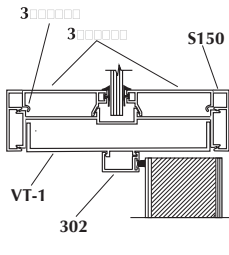
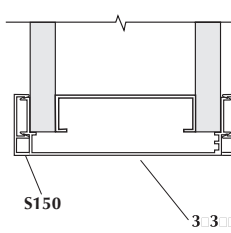
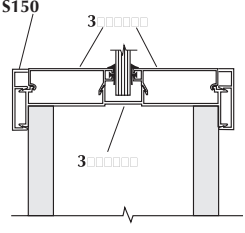



300 Series
- for 3 ¾" Walls

400 Series
- for 4 7/8" Walls

For full information on
Versatrim components, see
Extrusions and Accessories tab.

Versatrim Cross Sections - S150 1½" Trim

<p>1. hinge jamb</p> 	<p>2. strike jamb</p> 	<p>3. conventional header</p> 	<p>4. strike jamb w/sidelite</p> 
<p>5. hinge jamb w/sidelite</p> 	<p>6. conventional header (as used w/sidelite)</p> 	<p>7. glazing header</p> 	<p>8. glazing jamb</p> 
<p>9. glazing sill at floor</p> 	<p>10. glazing mullion</p> 	<p>11. horizontal glazing mullion</p> 	<p>12. door header w/borrowed light (transom bar)</p> 
<p>13. partition casing</p> 	<p>14. glazing sill at dr wall</p> 	<p>15. 4-pan glazing sill at floor</p> 	

□□ tended lip strike plates and minimum of