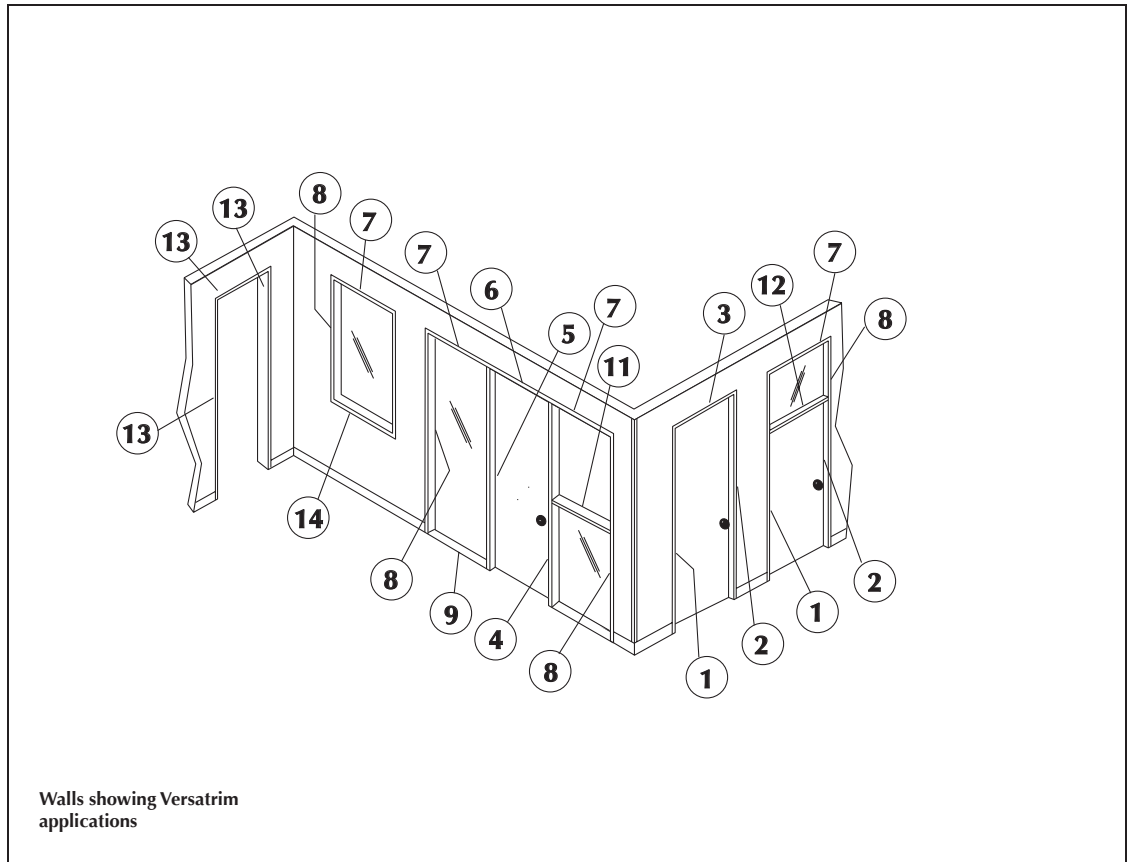


## Versatrim Cross Sections - S200 2" Trim

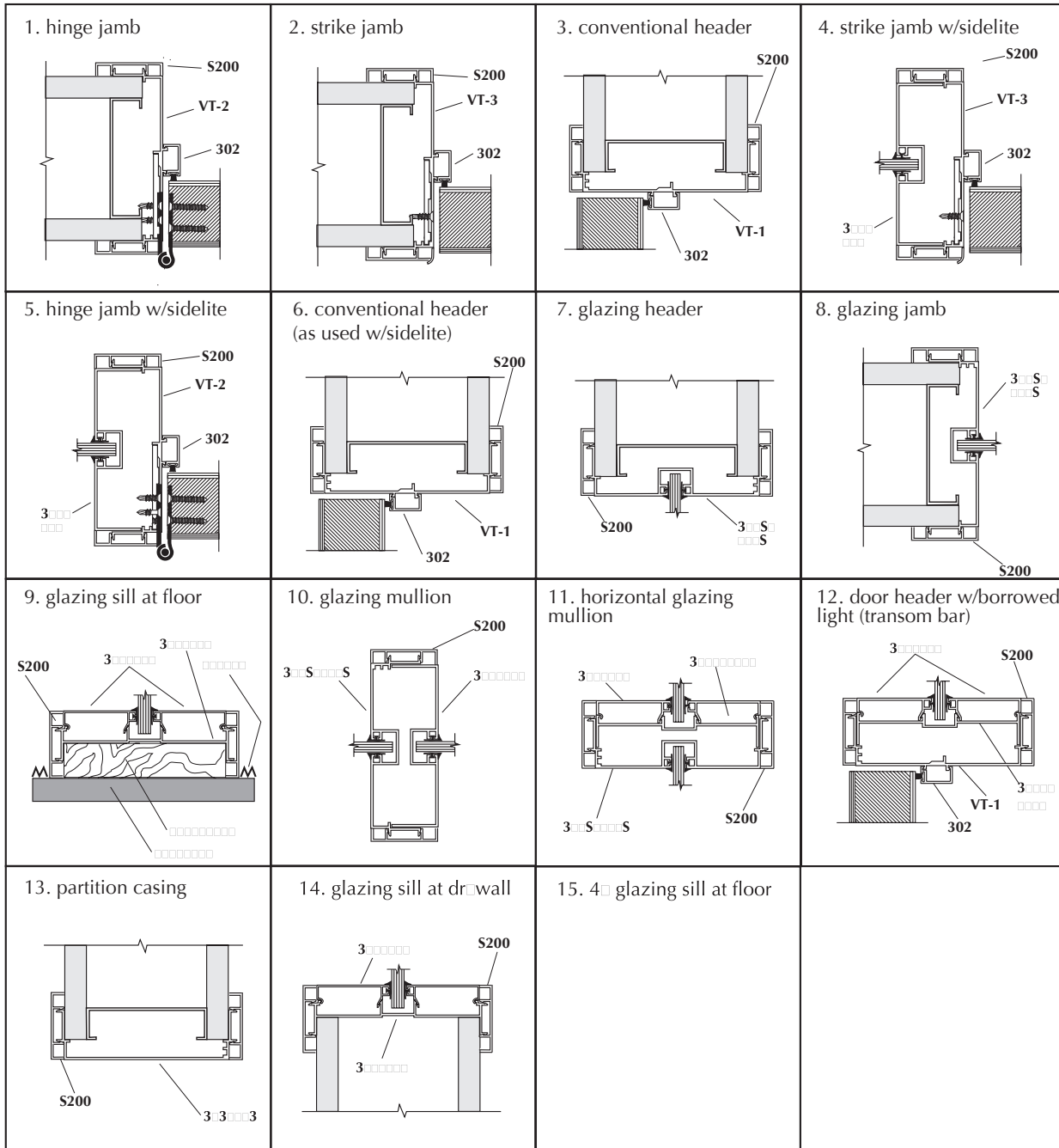


**300 Series**  
- for 3 3/4" Walls

**400 Series**  
- for 4 7/8" Walls

For full information on  
Versatrim components, see  
Extrusions and Accessories tab.

## Versatrim Cross Sections - S200 2" Trim



□□tented lip strike plates and minimum of  
4□□4□ hinges required for 1□□ and 2□□ trims.

□□ T□□□□□□ □□□□ST□□S□S□□□□□□□□□□V□□S□□ □