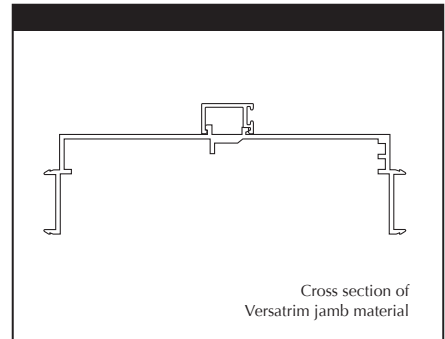


Stock Extrusions, Clips and Accessories

Versatrim Jamb Material used for header as well as for hinge and strike jambs.

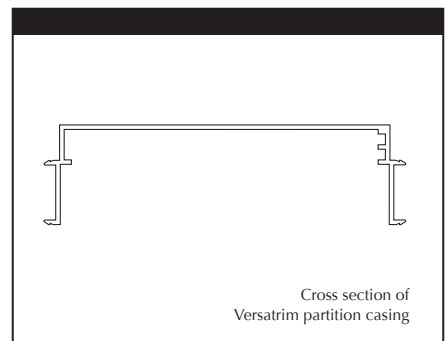
Part number: VT-1 Header
VT-2 Hinge Jamb
VT-3 Strike Jamb

Standard lengths: Fabricated to job requirements.
Jambs over 8'0" supplied with 2" extra length unless specified otherwise.



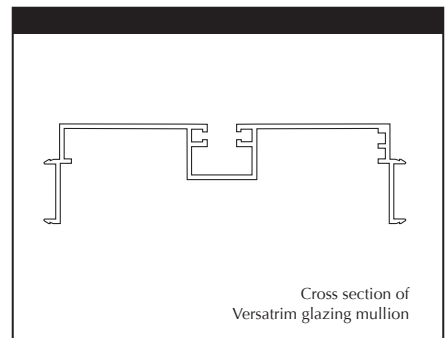
Versatrim Partition Casing is used for cased openings and double acting frames. Serves as a vertical end cap for wall ending at columns or window mullions.

Part number: 373/473
Standard length: 9'2"



Versatrim Glazing Mullion jamb acts as a mullion or header for glass, or as a jamb where glass and drywall meet.

Part number: 376S/476S
Standard length: 9'2"

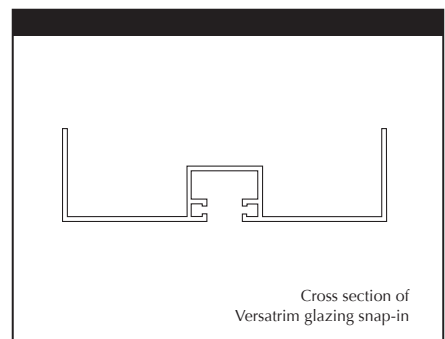


Versatrim Glazing Snap-in fits jambs and mullions.

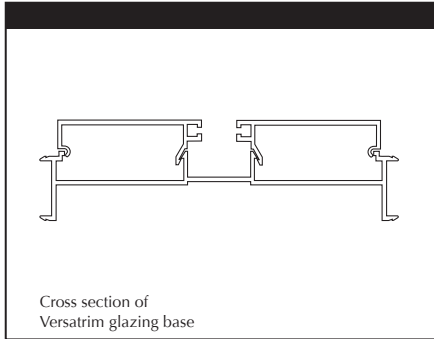
Part number: 377/477
Standard length: 9'2"

Versatrim Shallow Glazing Snap-in available for 1 1/2" trim.

Part number: 377S/477S
Standard length: 9'2"



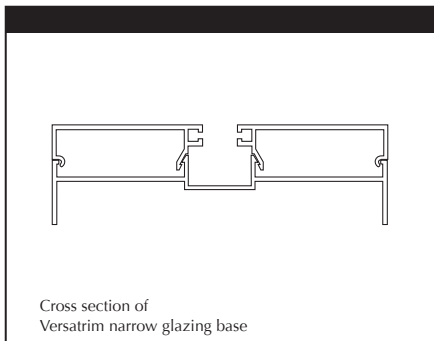
Stock Extrusions, Clips and Accessories



Versatrim Glazing Base and glazing snap. Designed as sill for sidelites and borrowed lites.

Part number: 378/379/379 or
478/479/479

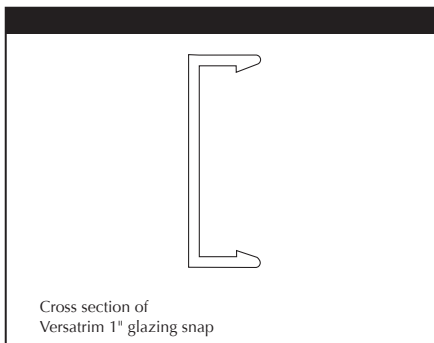
Standard lengths: 10'7"



Versatrim Narrow Glazing Base is used in conjunction with glazing mullion to form horizontal mullion or used with Versatrim header to form transom bar.

Part number: 378 1/379/379 or
478 1/479/479

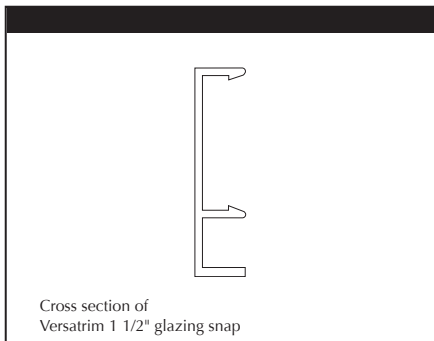
Standard lengths: 10'7"



Versatrim 1" Snap On Trim

Part number: S100

Standard lengths: 10'7"



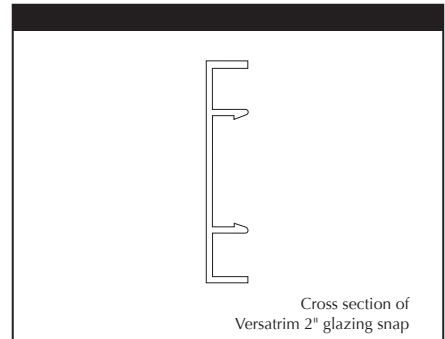
Versatrim 1 1/2" Snap On Trim

Part number: S150

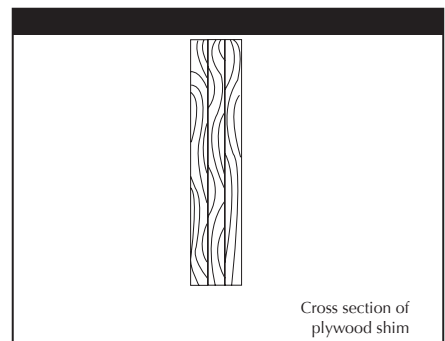
Standard lengths: 10'7"

Stock Extrusions, Clips and Accessories

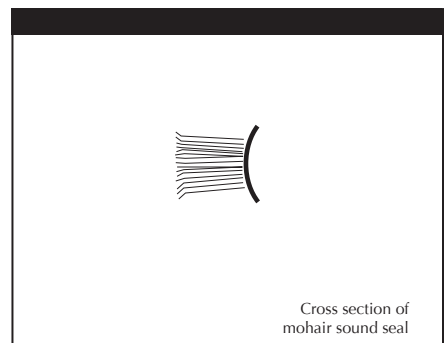
Versatrim 2" Snap On Trim
Part number: S200
Standard lengths: 10'7"



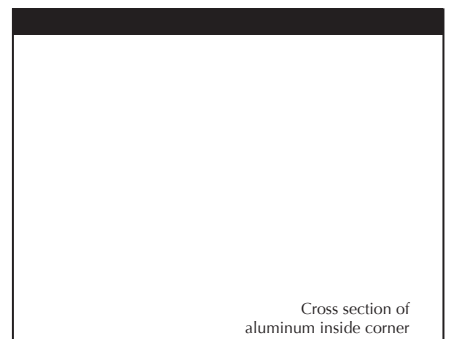
Plywood shim, 5/8" thick.
Part number: W-5
Standard lengths: 9'0"



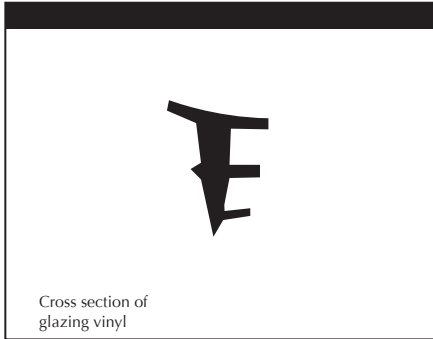
Mohair sound seal installed on frame stop, furnished in standard black. Other colors may be available upon request.
Part number: A-1 Black / A-2 Grey



Inside corners: No. 336R 1" corner with 9/32" return to match top track trim with 380 receiver.
Part number: 336R
Standard length: 9'0"
Box quantity: 18



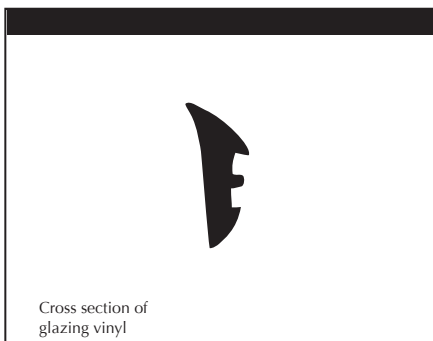
Stock Extrusions, Clips and Accessories



Glazing vinyl used on one side of 1/4" glass only.

Part number: V-2 Bronze V-4 Gray
V-3 Black V-5 White

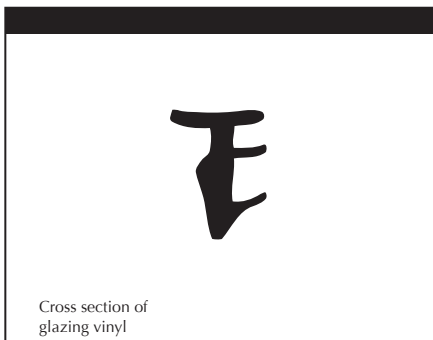
Standard lengths: 400 ft. rolls



Glazing vinyl used whenever 3/8" glass is used.

Part number: V-2A Bronze V-4A Gray
V-3A Black V-5A White

Standard lengths: 400 ft. rolls



Versatrim Glazing vinyl for use with 1/4" glass. Installed opposite the V-6P glazing vinyl.

Part number: V-6P Bronze V-6P Gray
V-6P Black V-6P White

Standard lengths: 750 ft. rolls



Versatrim Glazing vinyl for use with 1/4" glass.

Note: V-6S vinyl must be inserted into aluminum prior to installation.

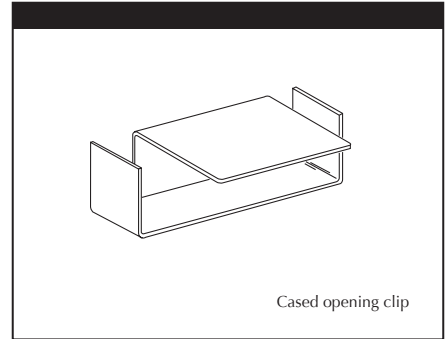
Part number: V-6S Bronze V-6S Gray
V-6S Black V-6S White

Standard lengths: 750 ft. rolls

Stock Extrusions, Clips and Accessories

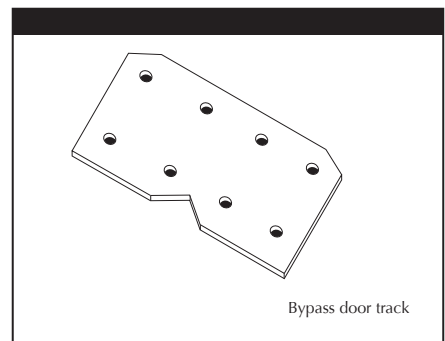
Cased opening clip attached directly to vertical steel stud. Drywall allows positive snap-on mounting of cased opening 313R or 413R at wall ends without use of adhesive or exposed screws.

Part number: K-20R/K-40R



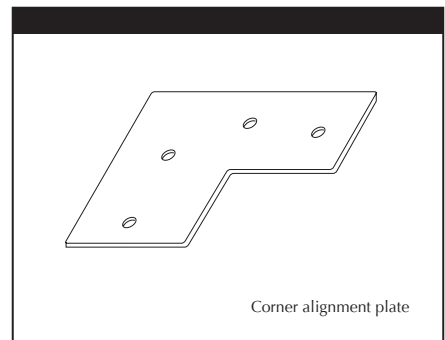
Straight alignment plate fits inside top track 303R or 403R to ensure perfect alignment at all butt joints.

Part number: K-5R



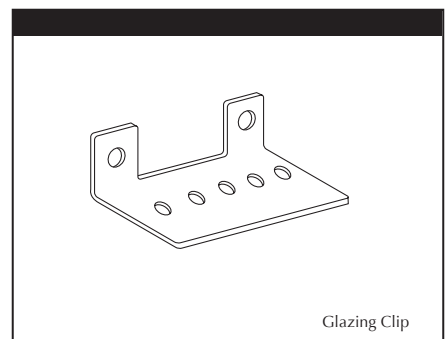
Corner alignment plate mounts in back to ensure top track alignment at 90° corner

Part number: K-6



Glazing clip used for connecting vertical and horizontal glazing mullions when using 303R or 403R top track as header.

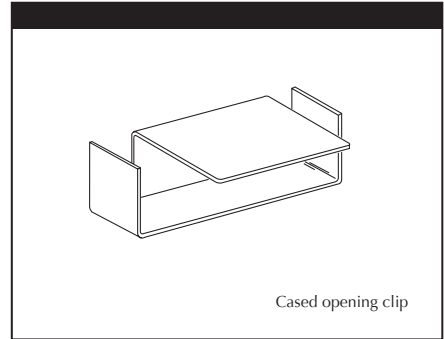
Part number: K-2



Stock Extrusions, Clips and Accessories

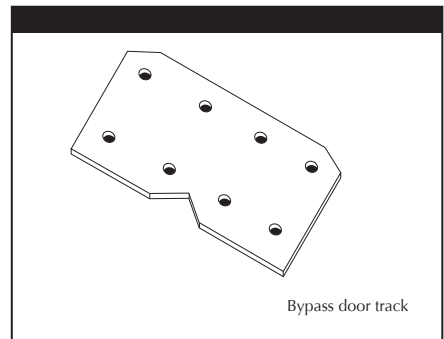
Cased opening clip attached directly to vertical steel stud. Drywall allows positive snap-on mounting of cased opening 313R or 413R at wall ends without use of adhesive or exposed screws.

Part number: K-20R/K-40R



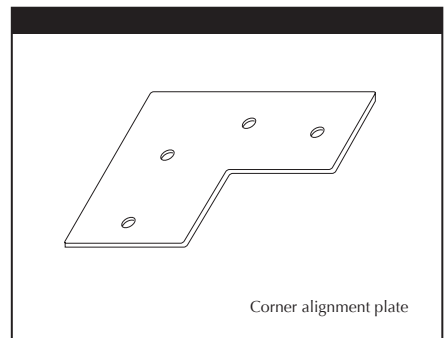
Straight alignment plate fits inside top track 303R or 403R to ensure perfect alignment at all butt joints.

Part number: K-5R



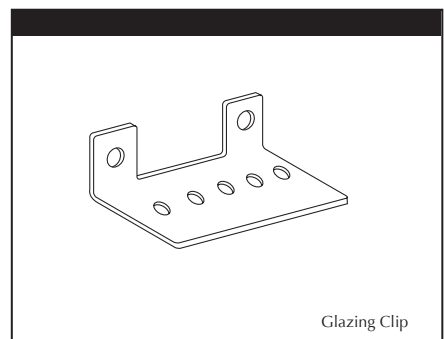
Corner alignment plate mounts in back to ensure top track alignment at 90° corner

Part number: K-6

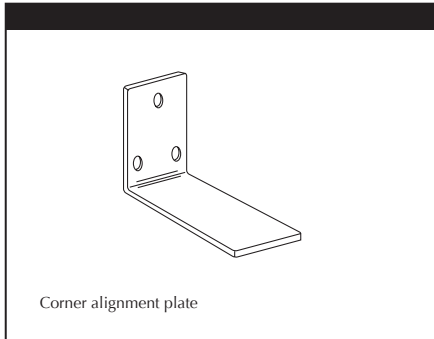


Glazing clip used for connecting vertical and horizontal glazing mullions when using 303R or 403R top track as header.

Part number: K-2

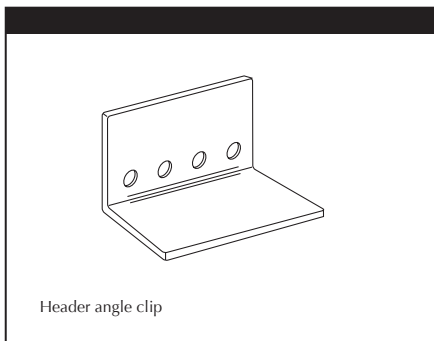


Stock Extrusions, Clips and Accessories



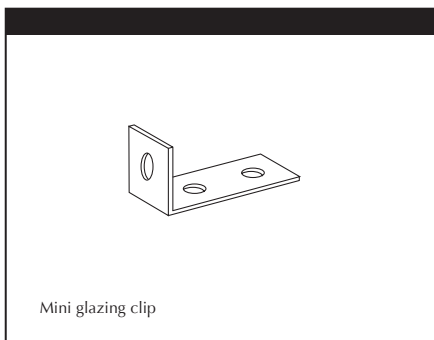
Angle clip used to connect hinge jamb to header at sidelite.

Part number: K-10



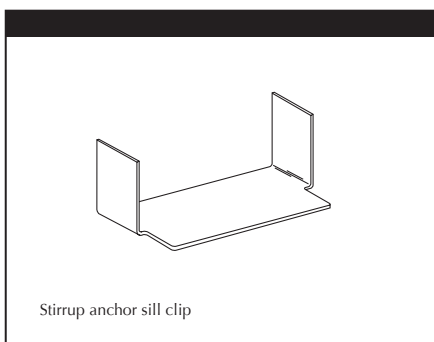
Header angle clip mounted on conventional header for attaching to frame jambs.

Part number: K-9



Mini glazing clip used for attaching base and horizontal mullions at vertical members. Can also be used instead of K-2 clip.

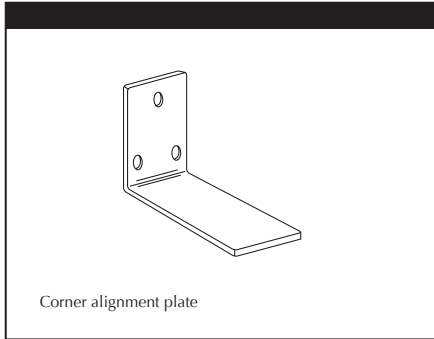
Part number: K-56 B



Stirrup anchor sill clip used for sidelite jamb to floor connection. Also for intermediate mullion to floor connection.

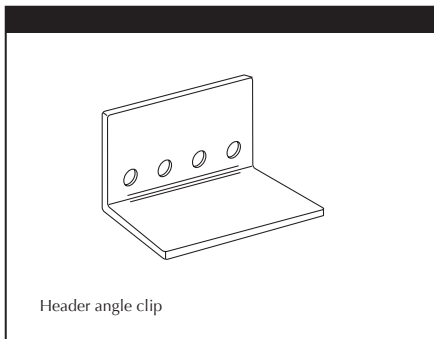
Part number: K-16S R

Stock Extrusions, Clips and Accessories



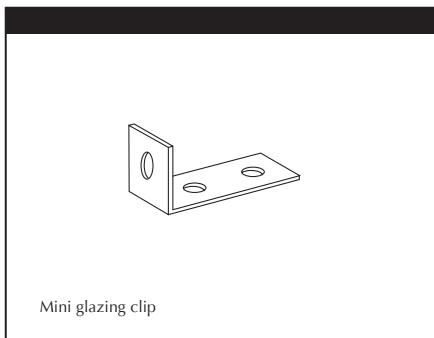
Angle clip used to connect hinge jamb to header at sidelite.

Part number: K-10



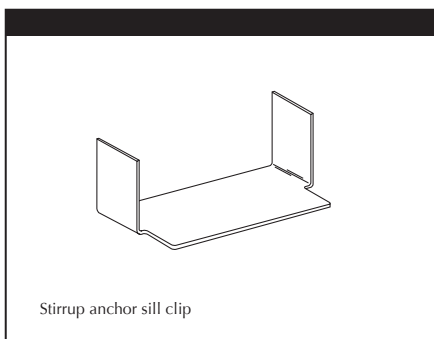
Header angle clip mounted on conventional header for attaching to frame jambs.

Part number: K-9



Mini glazing clip used for attaching base and horizontal mullions at vertical members. Can also be used instead of K-2 clip.

Part number: K-56 B



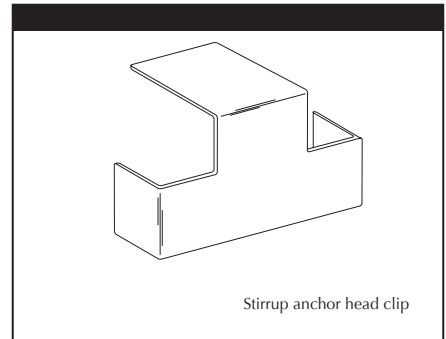
Stirrup anchor sill clip used for sidelite jamb to floor connection. Also for intermediate mullion to floor connection.

Part number: K-16S R

Stock Extrusions, Clips and Accessories

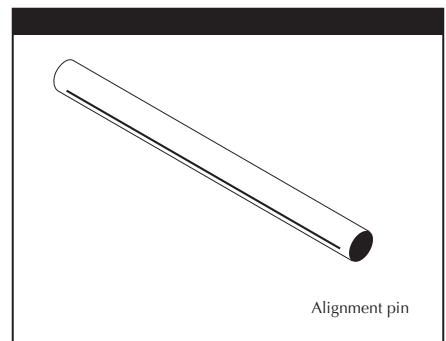
Stirrup anchor head clip used for sidelite jamb to header connection. Used for header connection where glazing terminates at end cap.

Part number: K-16H R



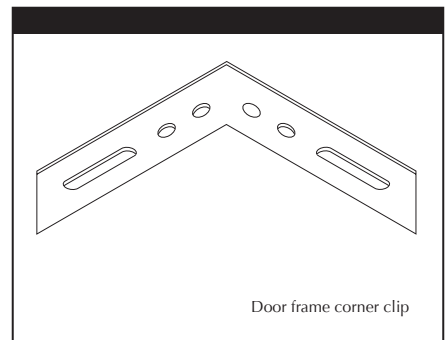
Alignment pin fits top track, H-mullion, cased opening and some trim sections.

Part number: RP-1



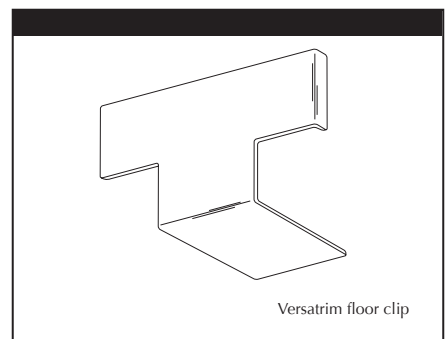
Corner clip aligns miter corner connections of adjustable aluminum door frame headers and jambs. Aligns corners of Versatrim sidelites and borrowed lites.

Part number: K-14

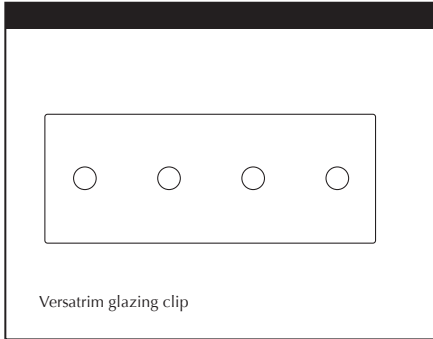


Versatrim floor clip can be used for sidelite jamb to floor connection.

Part number: K-16V

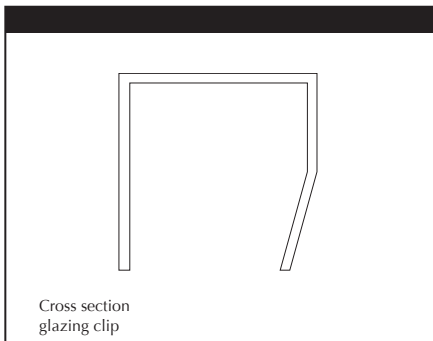


Stock Extrusions, Clips and Accessories



Versatrim Glazing Clip is used for connecting vertical and horizontal glazing mullion.

Part number: K-1



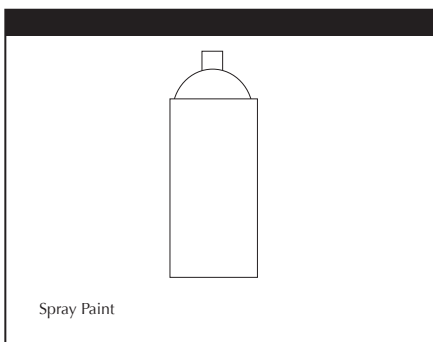
Clip straddles glass offset of 307R/407R; resists force exerted by glazier during installation of glazing vinyl.

Part number: K-35



Aluminum framing screw 16 x 5/8" phillips pan head TEK screw.

Part number: T-10



Spray paint to match standard colors.
Part number: SP-4 Dark Bronze
SP-5 Black
SP-7 White

PAINT PENS ALSO AVAILABLE IN BRONZE AND BLACK